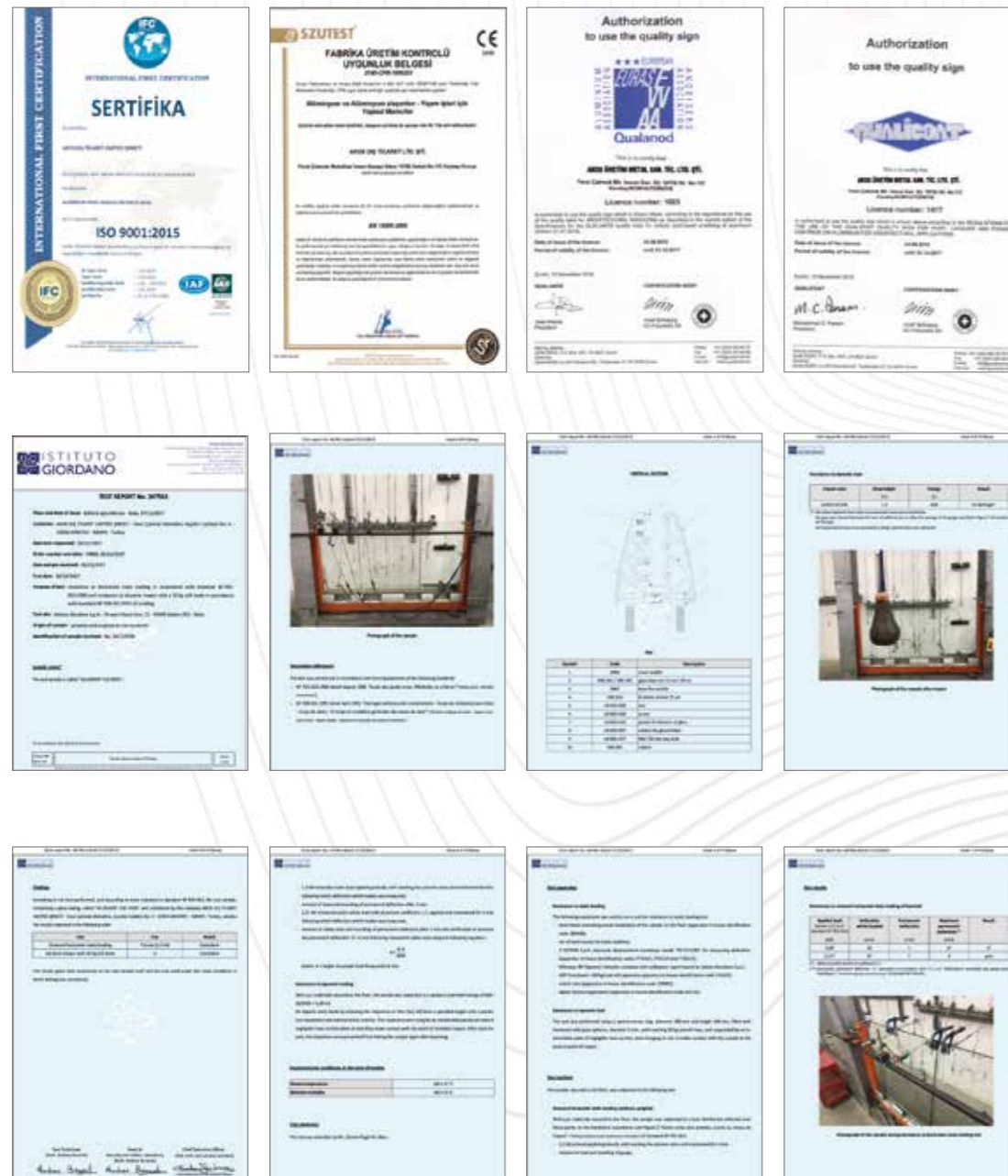




Art of Trust...



AKOS Dis Ticaret Ltd. Sti. is one of the biggest aluminium systems manufacturer that grows fast with AKOS brand name in the world market since 2006. AKOS Smart Aluminium Railing Systems has been recognized in five continents and dozens of countries and have been accredited by international certifications.

One of the main key factors that ensure company's growth with fast and solid steps is its quality and quality consistency. Company is aware of the importance of quality and set it as priority. It organizes all operation process and schedule based on healthy and trustworthy serial production. Each stage of the production is managed according to ISO 9001:2015 quality management system.

The AKOS brand, which is completely focused on the foreign markets, brings the future to the highest level with the innovation and qualified human resources. Experienced technicians and engineers organize all standard and custom production process by preparing detailed architectural solutions for every different market and culture.

AKOS Smart Aluminium Railing Systems are an indispensable part of artistic and modern designs with the priority of environmental awareness and life safety.

AKOS is developing its products to serve and support their customers' needs with the principles below:

- Fast Delivery
- High Quality Products
- Flexible and Special Production
- Advanced Design
- Competitive Pricing
- Customer Satisfaction

Today we are proud of serving better and being solution partners of our customers with our long-term based experience, new production areas, high technology machinery parks, effective staff and wide range of high quality products.



Page
Number

08

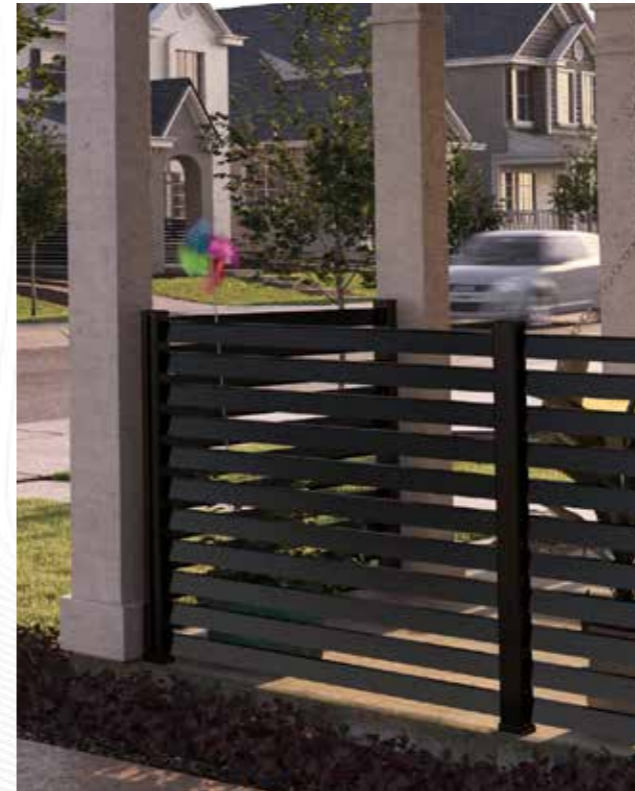
ALUSMART 500 SERIES



Page
Number

146

ALUFENCE 600 SERIES



Page
Number

104

ALUMAX 400 SERIES




Page
Number

164

AKOS GLASS





Rich range of products
Multi-product typology and synthesis
Very simple production possibility despite different solution alternatives
Quality material with modern design (anodized quality)
Affordable access to end users
Resistance to various climatic conditions and long life.
Contrary to expectations, low-cost aluminum
Alternative materials
High stock level and efficient sales service network at Akos scale



ALUSMART 500 SERIES

The Alusmart Series railing system is ideal for both indoor and outdoor applications. The most frequently used areas are hotels, public spaces, public buildings, offices, houses with modern design and villas.

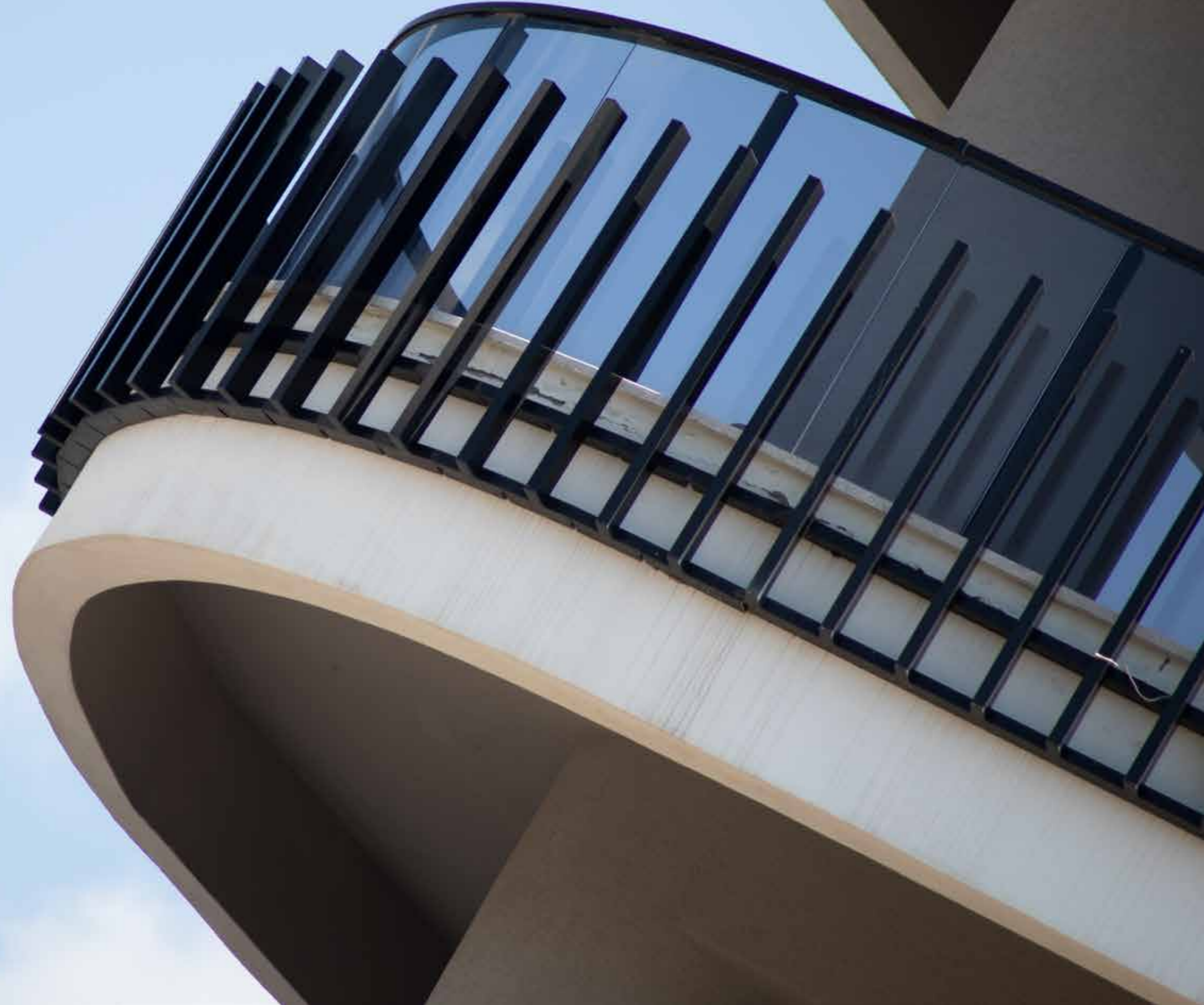


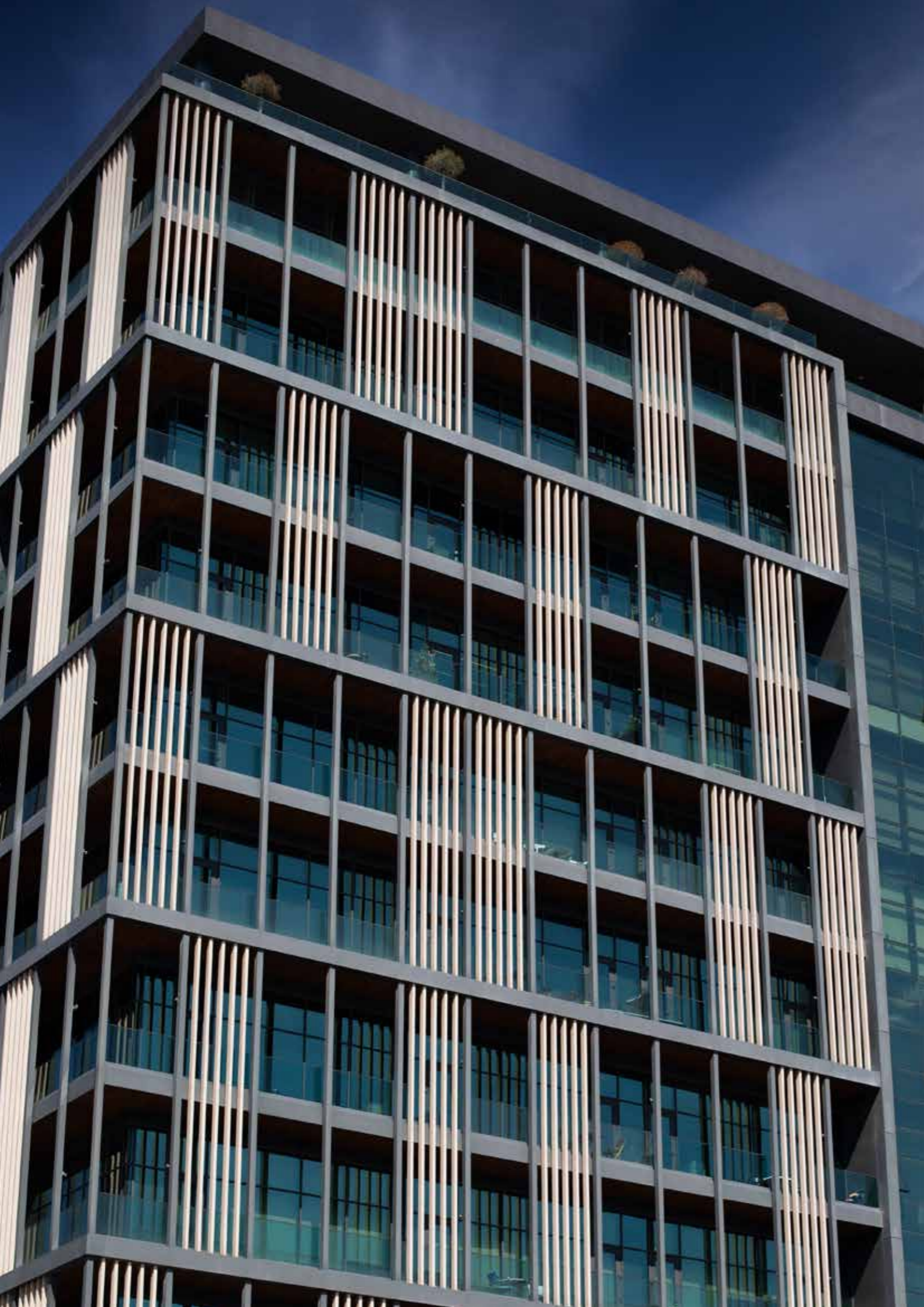
akos



ALUSMART 500

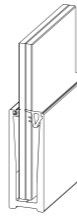
SERIES





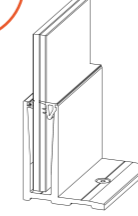
ALUSMART 500 SERIES

Page Number
12



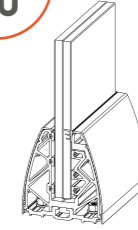
• **EURO10**
SERIES

Page Number
16



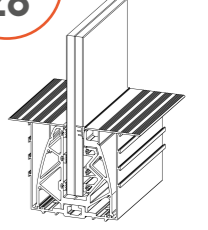
• **EURO40**
SERIES

Page Number
20



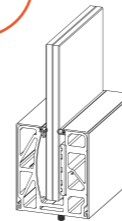
• **A10**
SERIES

Page Number
28



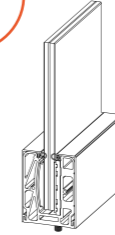
• **A20**
SERIES

Page Number
30



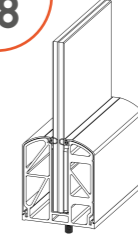
• **A11**
SERIES

Page Number
34



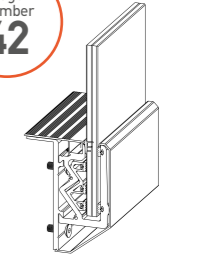
• **A12**
SERIES

Page Number
38



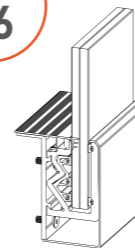
• **A13**
SERIES

Page Number
42



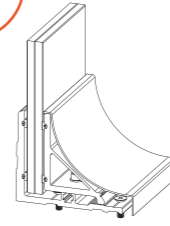
• **A30**
SERIES

Page Number
46



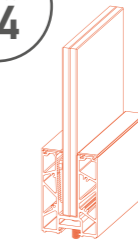
• **A31**
SERIES

Page Number
50



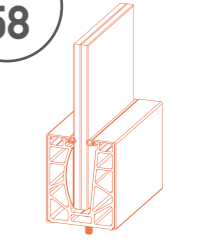
• **A40**
SERIES

Page Number
54



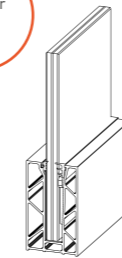
• **A50**
SERIES

Page Number
58



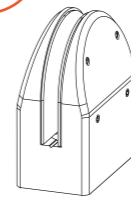
• **A51**
SERIES

Page Number
62



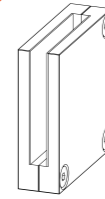
• **A52**
SERIES

Page Number
66



• **A60**
SERIES

Page Number
92

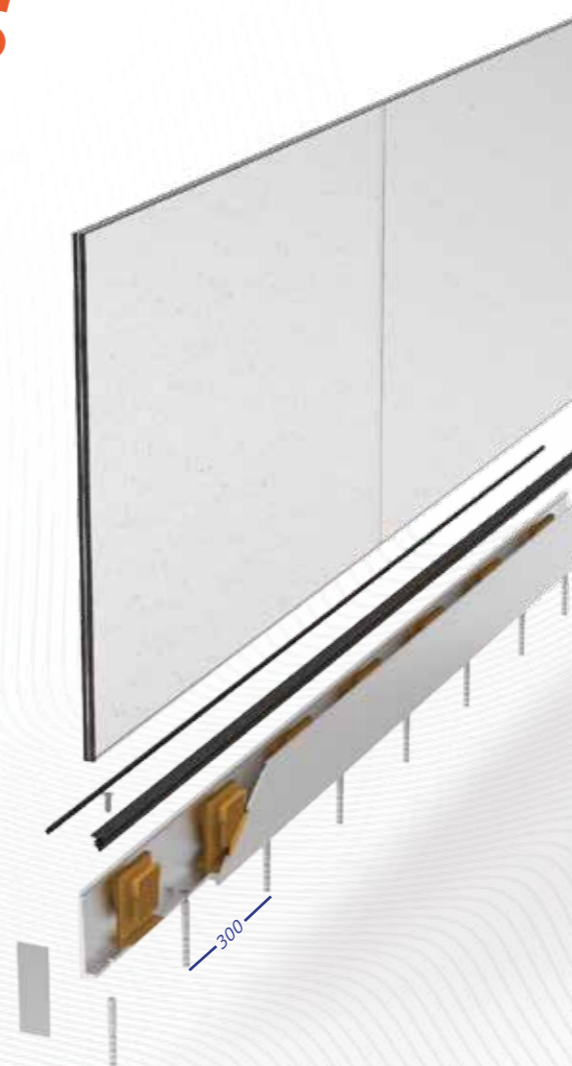


• **A66**
SERIES



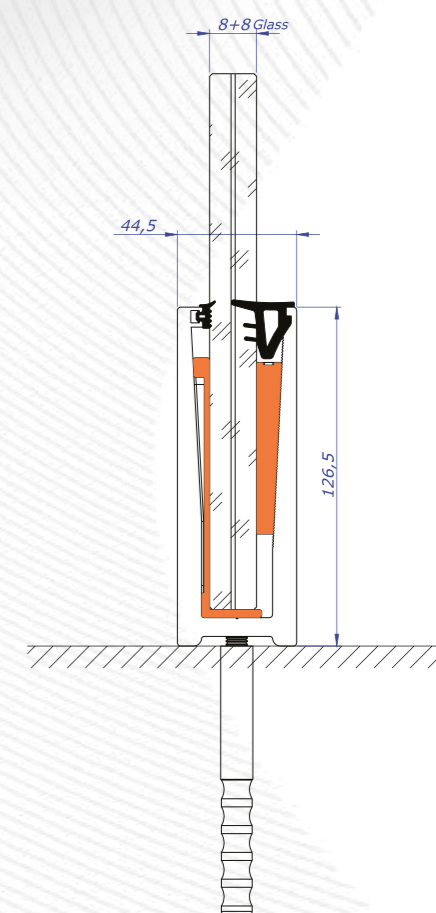
EURO10

SERIES



Alusmart Euro 10 System, one of our rich profile options, is suitable for different architectures, stands out with its reliable holding strength and minimalist design.

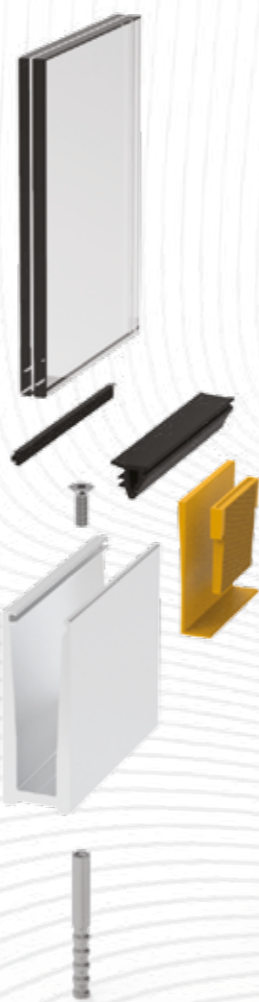
- Suitable also for large public spaces with demanding safety requirements.
- Complies with worldwide safety and building regulations.
- Aluminium cladding with a stainless steel effect.
- Uses the Safety Wedge system for easy glass installation.
- Complete your desired look by choosing from a range of handrails and cap rails in a variety of materials, shapes and sizes.



akosystem.com



EURO10 SERIES



500-711
Euro 10 Inner Corner 90°



500-712
Euro 10 Outer Corner 90°



500-713
Euro 10 Inner Corner 45°



500-714
Euro 10 Outer Corner 45°

EURO10 SERIES



4046
Euro 10 Glass Base
Profile - 6 Meters



500-715
Euro 10 Endcap



500-790
Plastic Compression Set



500-791
EPDM Rubber



500-792
EPDM Rubber



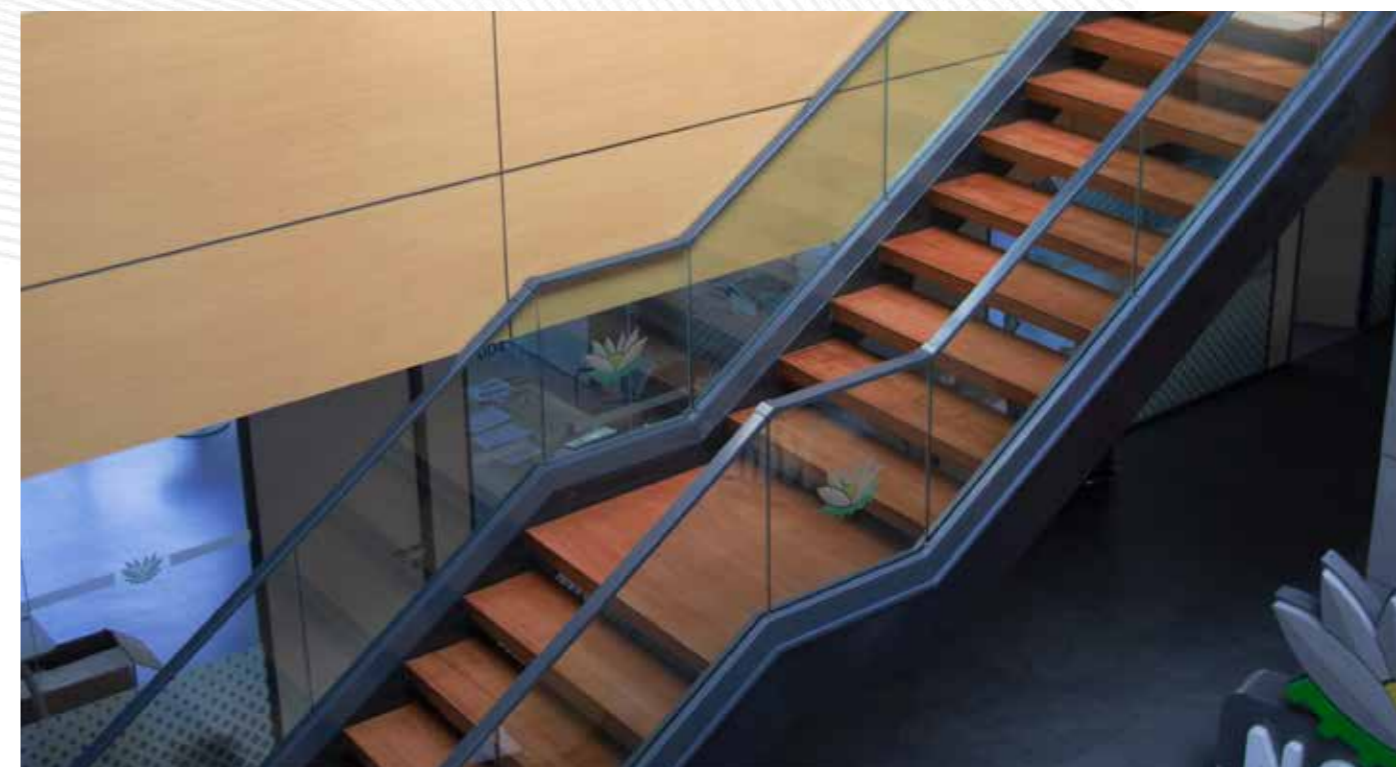
500-015
8 Metric Anchor



500-016
8 Metric Anchor



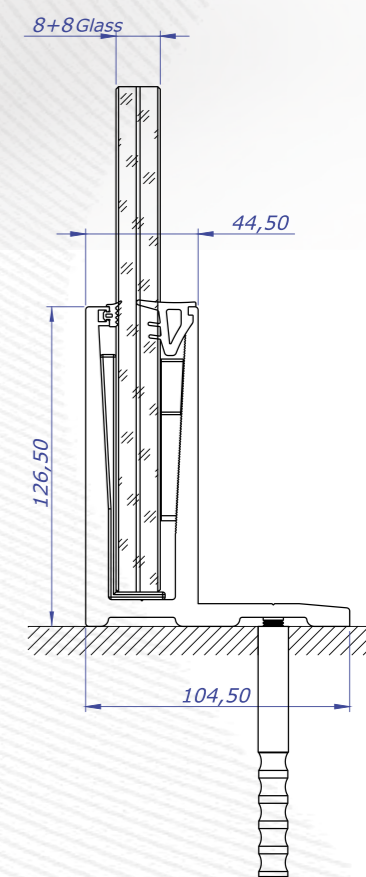
500-018
Inox Bolt M8x25





EURO40

SERIES



Alusmart Euro 40 System provides big living spaces and confidence of using 8+8 laminated glass. Designed for safety with its solid design.

- Complies with worldwide safety and building regulations
- Aluminium cladding with a stainless steel effect
- Uses the Safety Wedge system for easy glass installation.
- Complete your desired look by choosing from a range of handrails and cap rails in a variety of materials, shapes and sizes.

akosystem.com



EURO40

SERIES

EURO40

SERIES



4045
Euro 40 Glass Base
Profile - 6 Meters



500-745
Euro 40 Endcap



500-790
Plastic Compression Set



500-791
EPDM Rubber



500-792
EPDM Rubber



500-015
8 Metric Anchor



500-016
8 Metric Anchor



500-018
Inox Bolt M8x25



500-741
Euro 40 Inner Corner 90°



500-742
Euro 40 Outer Corner 90°



500-743
Euro 40 Inner Corner 45°

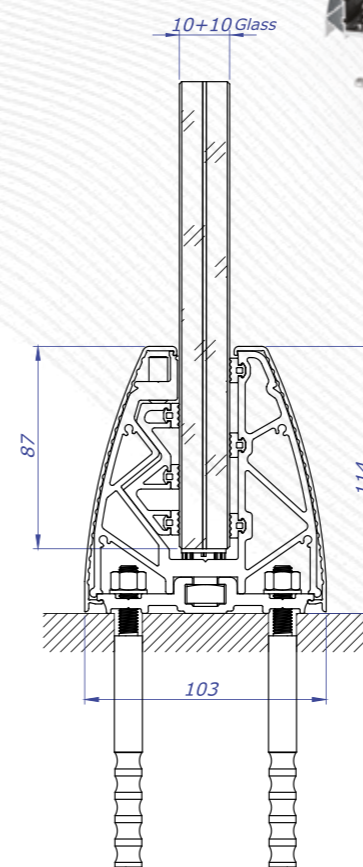


500-744
Euro 40 Outer Corner 45°





A10 SERIES



Alusmart A10 System provides you comfort in assembly and installation with its privileged designs and rational solutions.

- Architectural aesthetics by oval and angled cover.
- Strong connection thanks to the rail profile.
- Zero deformation thanks to the glass compression devise.
- Eliminates obliqueness by sequential arrangement.
- Aesthetic design with optional Led Lighting.
- Ready sets of 90° and 45° angled for corners.

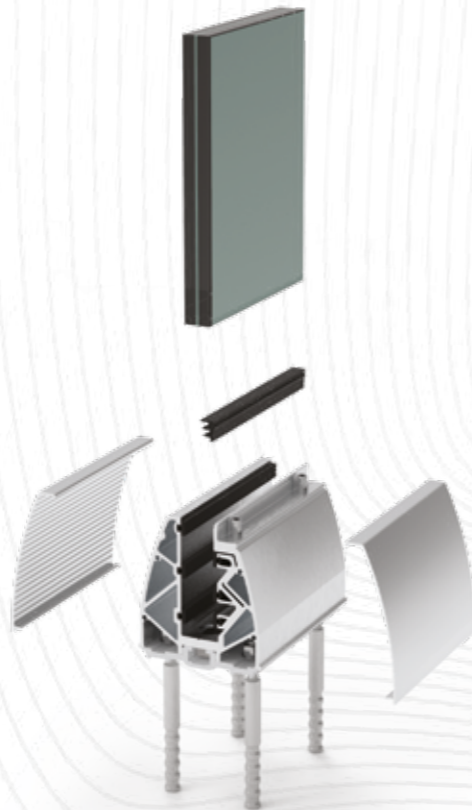


akosystem.com



A10
SERIES

A10
SERIES

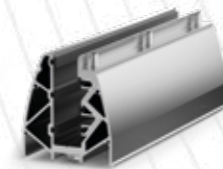


500-203
Endcaps

2985
Cover Profile (6 Meters)



500-101
Glass Base Set 15 cm



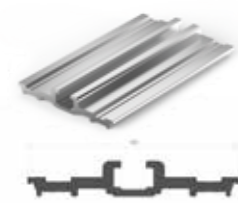
500-102
Glass Base Set 30 cm



500-104
Glass Base Set 15 cm



500-105
Glass Base Set 30 cm



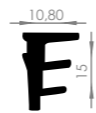
2987
Base Line Profile
(6 Meters)



500-103
Endcaps



2986
Cover Profile (6 Meters)



500-001
Rubber

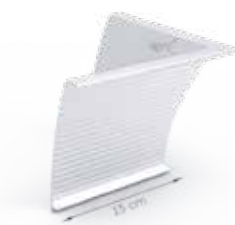
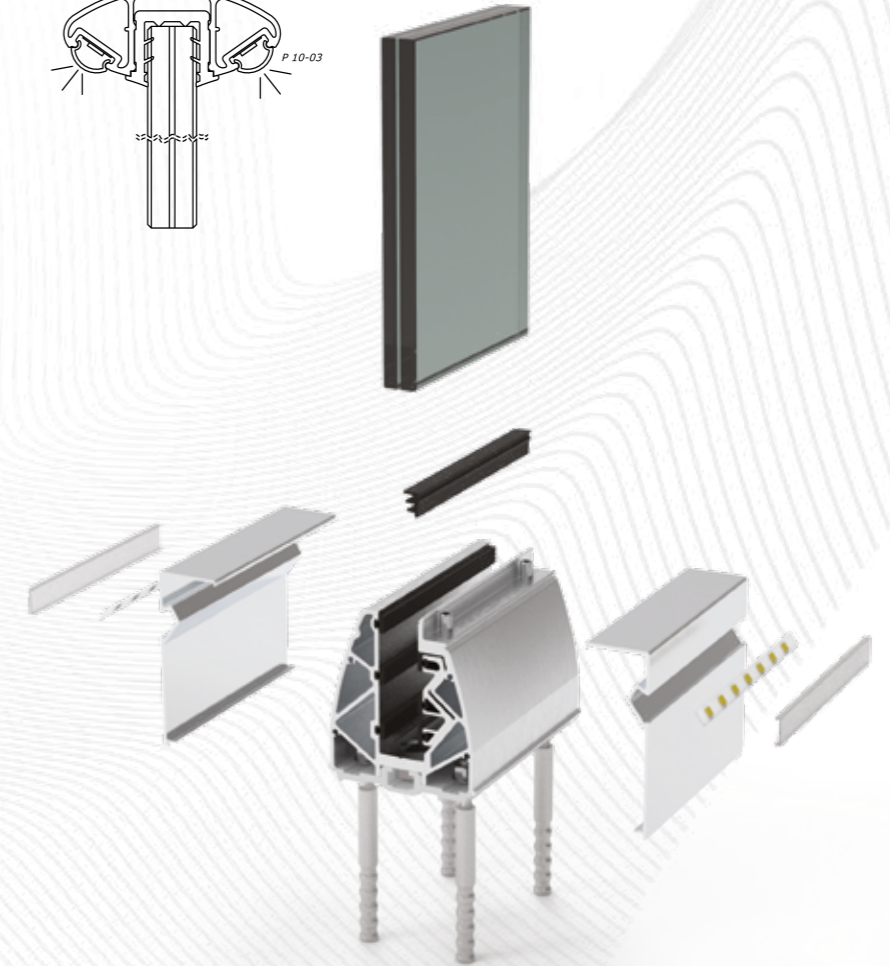
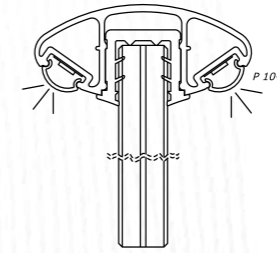
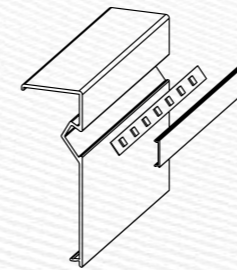
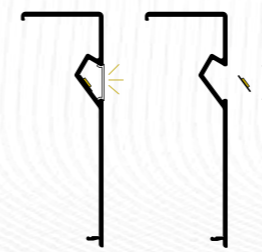


A10 SERIES

A10 SERIES



• Aesthetic design with optional Led Lighting.



500-106
90° Inner Corner For 2986



500-107
90° Outer Corner For 2986



500-108
45° Inner Corner For 2986



500-109
45° Outer Corner For 2986



500-206
90° Inner Corner For 2985



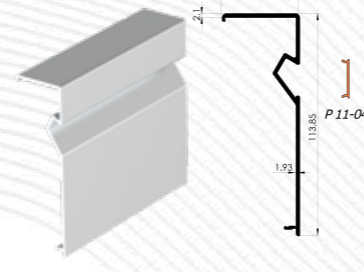
500-207
90° Outer Corner For 2985



500-208
45° Inner Corner For 2985



500-209
45° Outer Corner For 2985



6150
Cover Profile With Led Channel (6 Meters)



100-036
Led Strip Light



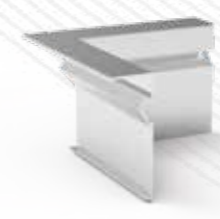
P 10-03
Plastic Led Cover (6 meters)



P 11-04
Plastic Led Cover (6 meters)



500-132
90° Outer Corner for 6150



500-133
90° Inner Corner for 6150



500-134
45° Outer Corner for 6150



500-135
45° Inner Corner for 6150

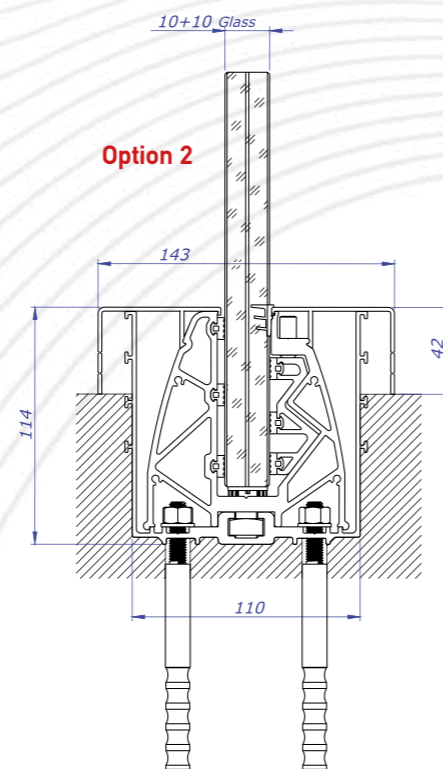
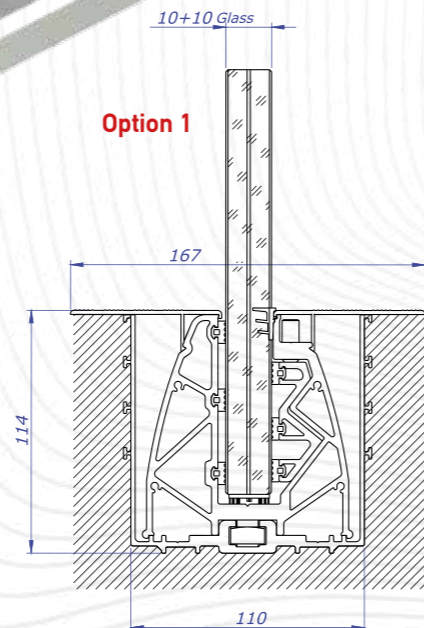




A20 SERIES



- It is mounted as a recessed type in the ground.
- It's ideal for cafes and shopping malls.
- Thanks to U-shaped rail profile, a high degree of inertia and a strong connection can be made.
- Easy installation saves workmanship and time.
- Because of the glass compression device is made planar and aluminum profile, it does not deform in use for many years and provides high inertia to the system.
- Allows installation of glass up to 20 mm.
- With the design it has, it saves space.
- In the sequential arrangement of the products, it eliminates the problem of obliqueness.



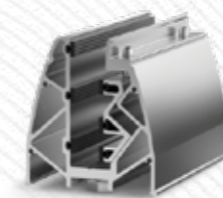
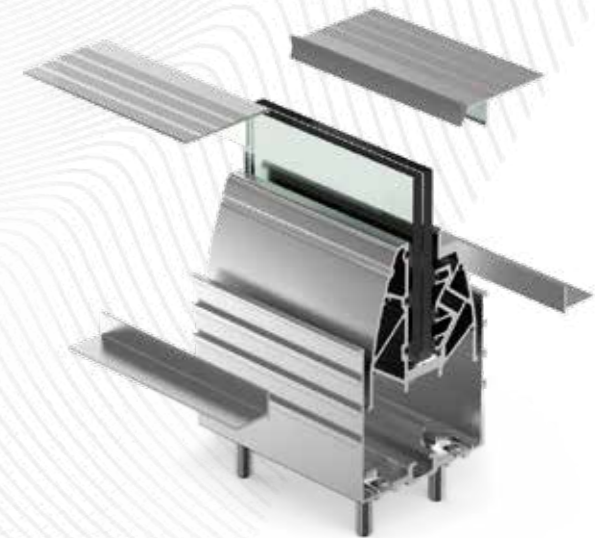
akosystem.com



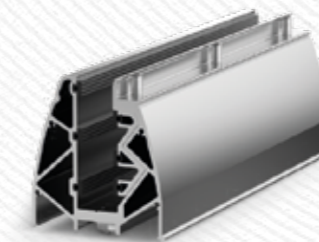
A20 SERIES



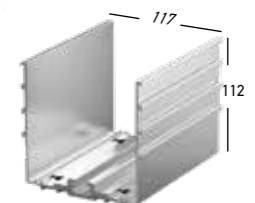
The Alusmart Series railing system is ideal for both indoor and outdoor applications. The most frequently used areas are hotels, public spaces, public buildings, offices, houses with modern design and villas.



500-101
Glass Base Set-15 Cm



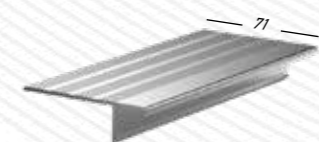
500-102
Glass Base Set-30 Cm



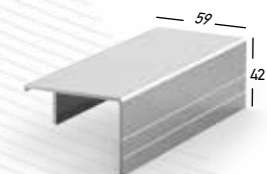
2980
U Profile For Base (6 meters)



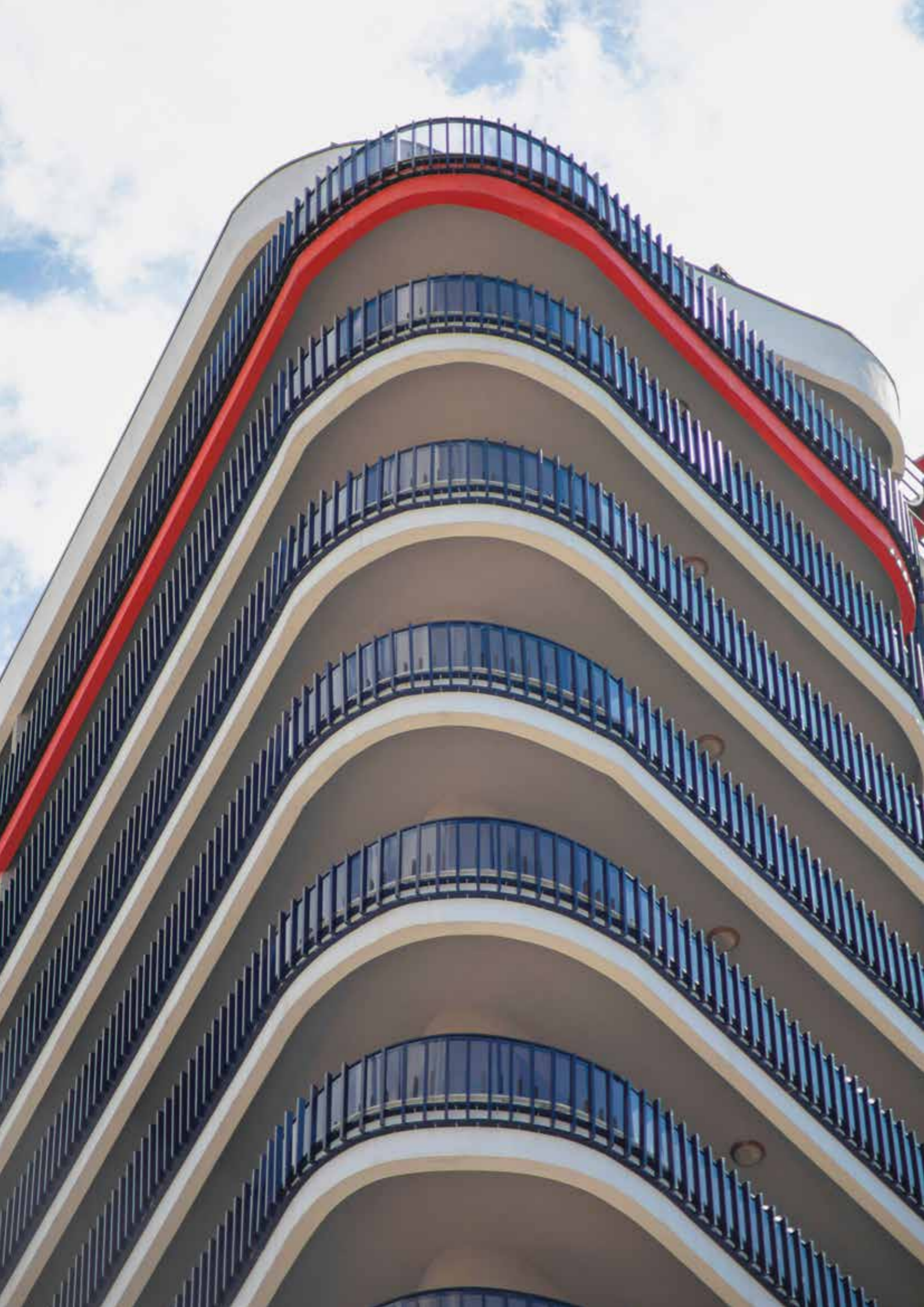
2984
Adjustment Profile (6 meters)



2983
Top Cover Profile (6 meters)



6068
Top Cover Profile (6 meters)



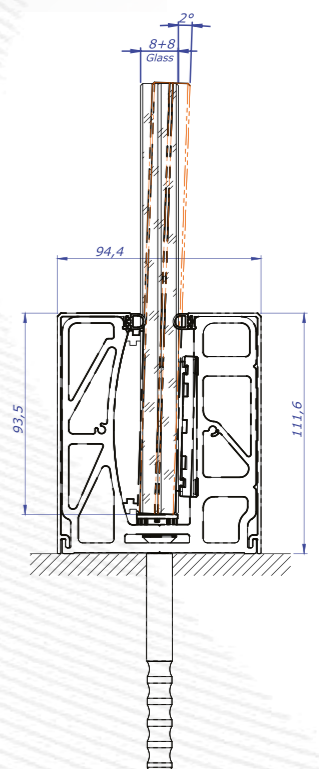
A11

SERIES



Alusmart A11 System allows to use the system in all unbalanced and problematic surfaces.

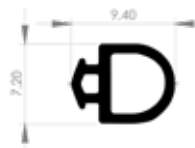
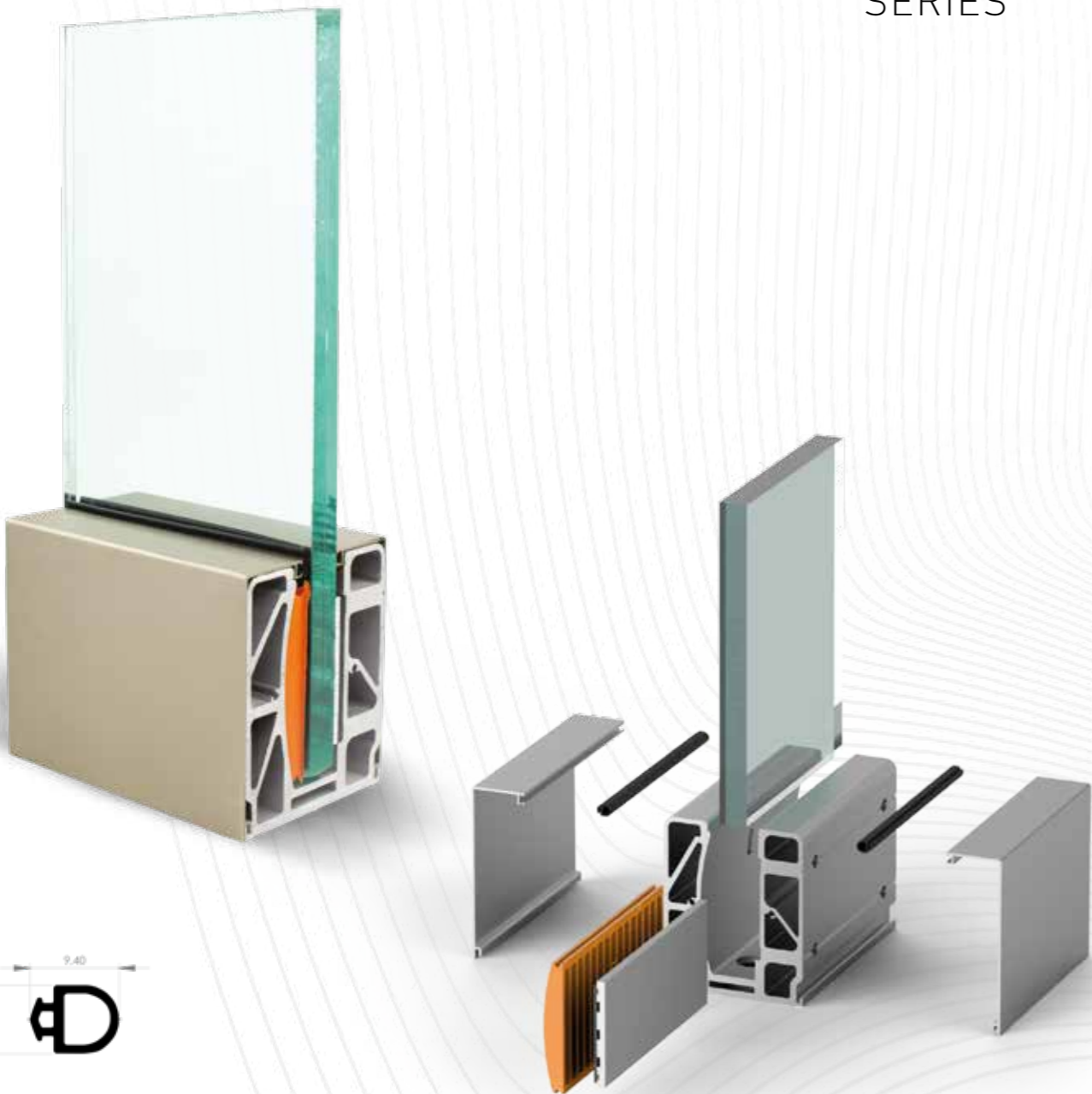
- Allows to align the glass approximately 3° on both sides with its unique plastic structure inside.
- Each glass base sets has glass alignment apparatus inside.
- 500-112 A11 type has 2 separate glass alignment apparatus to align 2 glasses where they meet.
- Suitable with 8+8mm laminated glass.
- High structural strength provides maximum security.
- Zero deformation thanks to the glass compression devise.
- Especially for residences, workplaces, hotels, public areas and stadiums.



akosystem.com



A11
SERIES



500-116
Rubber



6145
Cover Profile
(6 meters)



500-111
Glass Base Set-15 Cm



500-112
Glass Base Set-30 Cm



500-113
Endcaps

A11
SERIES



500-114
90° Inner Corner For 6145



500-115
90° Outer Corner For 6145



500-116
45° Inner Corner For 6145



500-117
45° Outer Corner
For 6145





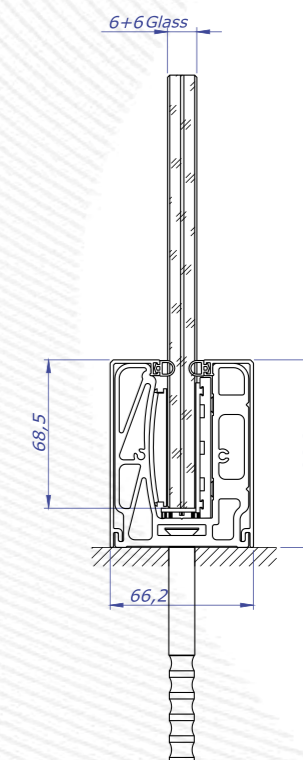
A12

SERIES



Alusmart A12 System allows you to easily mount the system on all unstable and problematic surfaces.

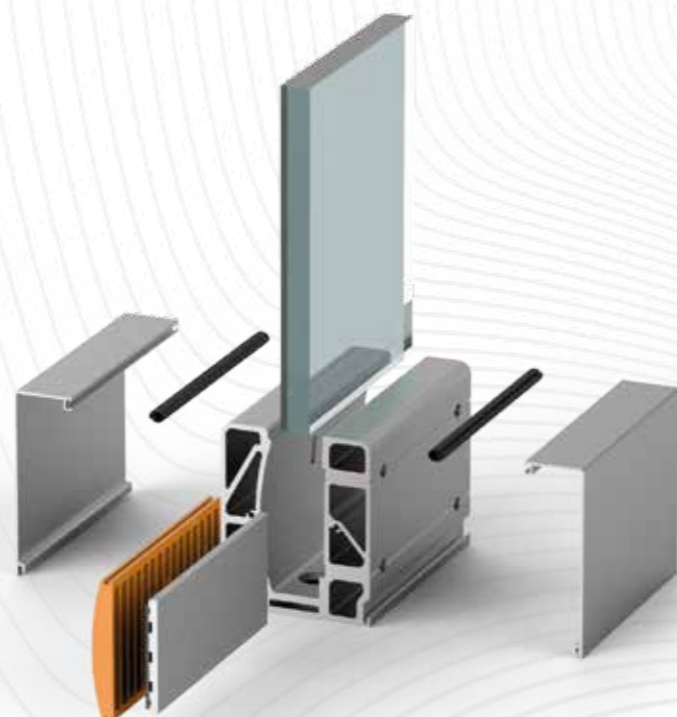
- Allows to align the glass approximately 3° on both sides with its unique plastic structure inside.
- A12 is suitable with 6+6 mm laminated glass and suitable for private houses, workplaces, hotels, public areas, stadiums and so on.
- Each glass base sets has glass alignment apparatus inside.
- 500-112 A12 type has 2 separate glass alignment apparatus to align 2 glasses where they meet.
- Suitable with 6+6mm laminated glass.
- High structural strength provides maximum security.
- Zero deformation thanks to the glass compression devise.
- Especially for residences, workplaces, hotels, public areas and stadiums.



akosystem.com



A12
SERIES



500-116
Rubber



500-121
Glass Base Set-15 Cm



500-122
Glass Base Set-30 Cm



500-123
Endcaps



6142
Cover Profile
(6 meters)

A12
SERIES



500-124
90° Inner Corner For 6142



500-125
90° Outer Corner For 6142



500-126
90° Inner Corner For 6142



500-127
45° Outer Corner
For 6142

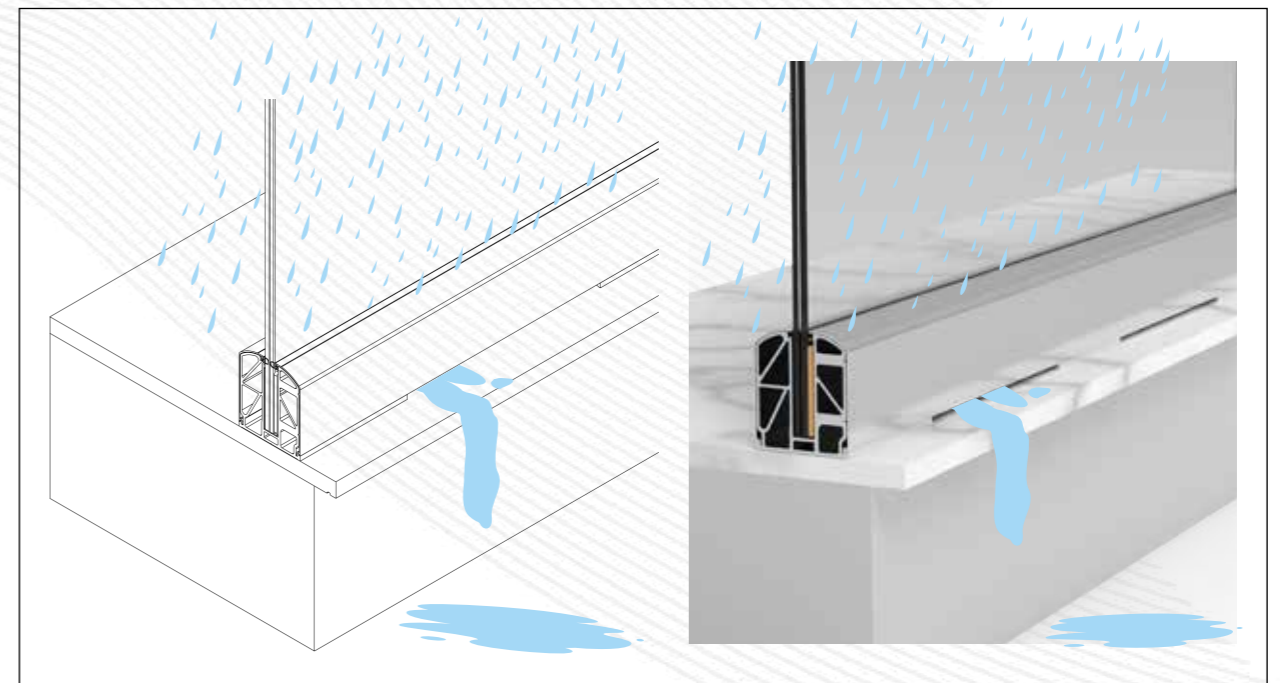
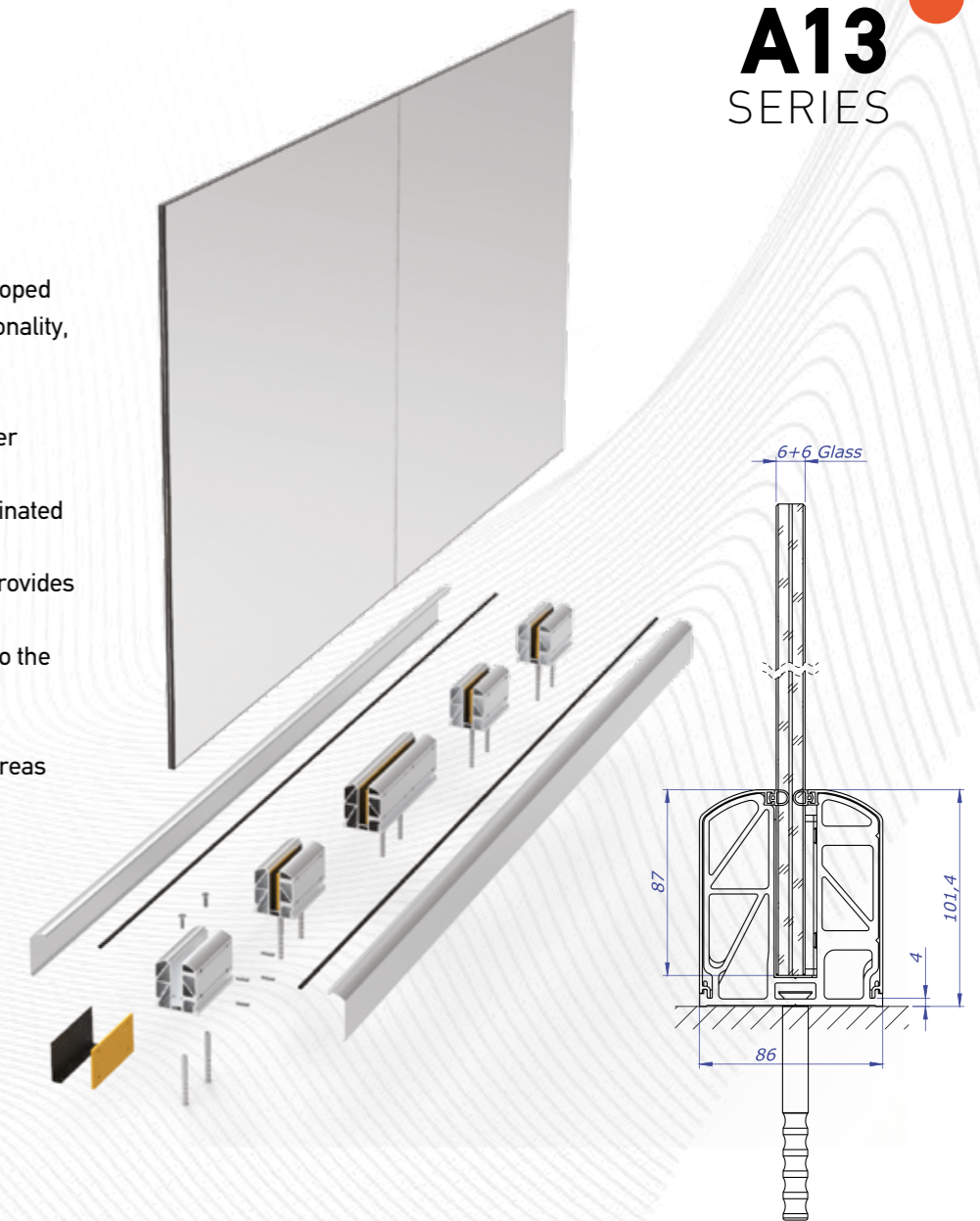




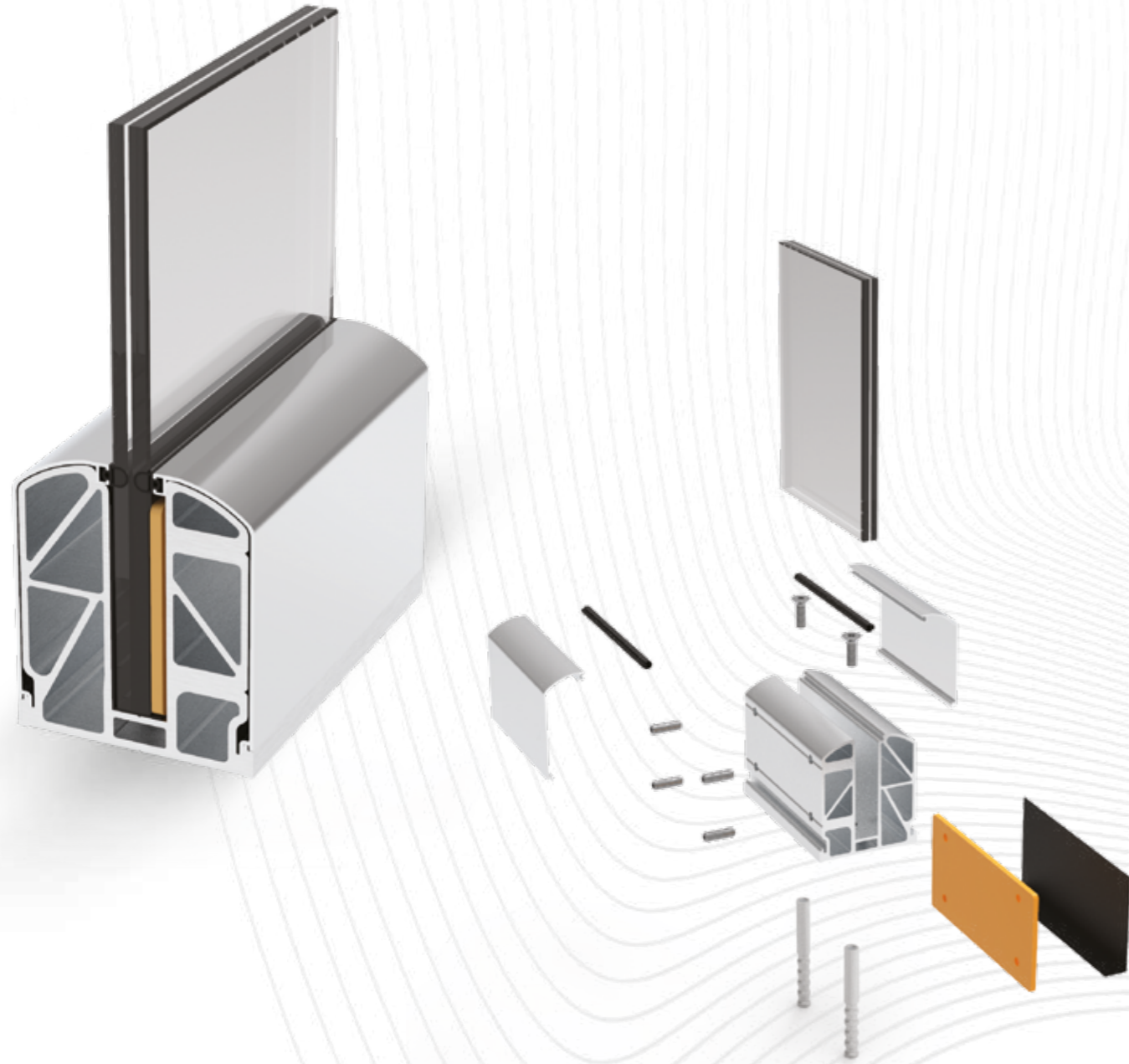
A13 SERIES

Alusmart A13 System developed for who is looking for functionality, stability and durability with aesthetic approach.

- No need a system for water drainage.
- Suitable with 6+6mm laminated glass.
- High structural strength provides maximum security.
- Zero deformation thanks to the glass compression devise.
- Especially for residences, workplaces, hotels, public areas and stadiums.



A13
SERIES



500-034
Glass Base Set-15 Cm

500-040
Glass Base Set-30 Cm

5080
Cover Profile (6 meters)

500-045
Endcaps



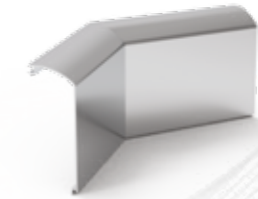
A13
SERIES



500-128
90° Outer Corner for 5080



500-129
Inner Corner for 5080



500-130
Inner Corner for 5080



500-131
Outer Corner for 5080



500-116
EPDM Rubber



500-015
8 Metric Anchor



500-016
8 Metric Anchor



500-018
Inox Bolt M8x25





A30 SERIES

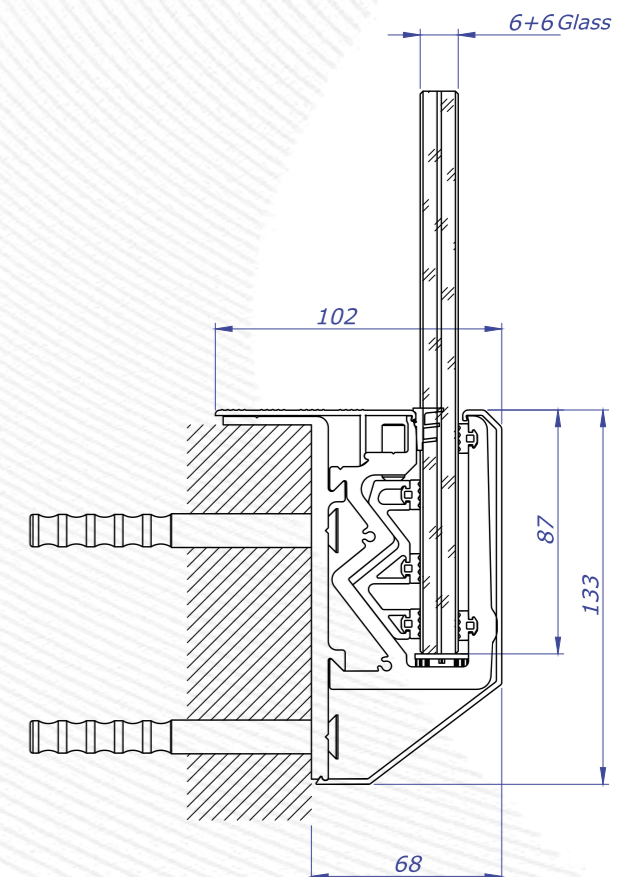


Alusmart A30 System; the outer cover can be connected without profiling glass mounting, and no extra operation is required.

- High Structural strength
- Space-saving minimalist design
- High resistance to deformation provides high safety to the system
- Allows installation of glass up to 12 mm



akosystem.com



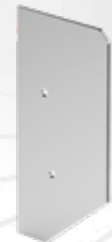
A30
SERIES



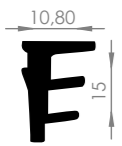
500-301
Glass Base Set 15 cm



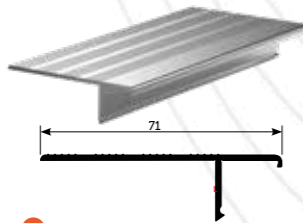
500-302
Glass Base Set 30 cm



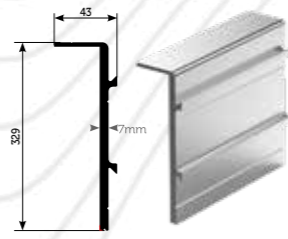
500-303
Endcaps



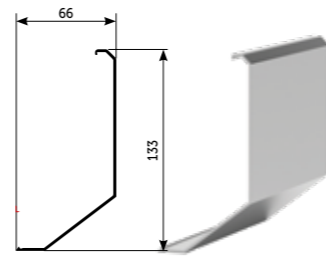
500-001
Rubber



2983
Top Cover Profile
(6 meters)



2977
Base Carrier Profile
(6 meters)



2979
Front Cover Profile
(6 meters)

A30
SERIES



500-304
90° Outer Corner For
2979



500-305
90° Inner Corner For
2979



500-306
45° Outer Corner For
2979



500-307
45° Inner Corner
For 2979





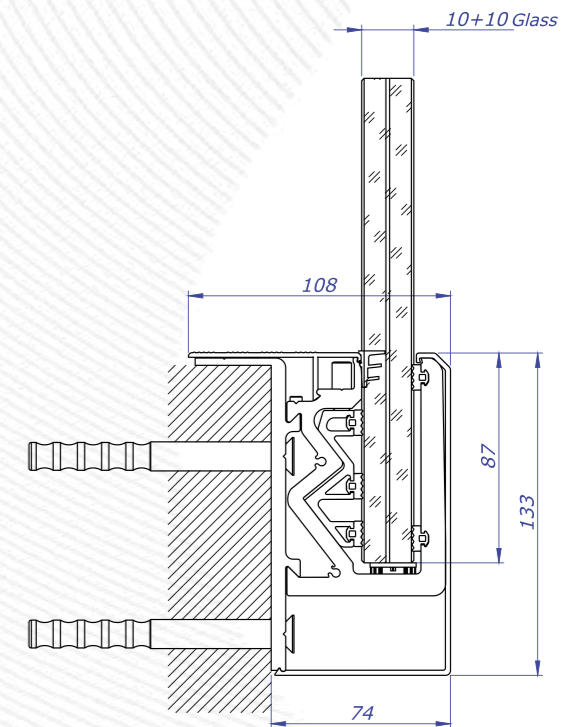
akos

A31
SERIES



Alusmart A31 System is different than other systems with the outer cover can be installed from inside before mounting the glasses and no extra operation required.

- High resistance to deformation provides high safety to the system.
- Glass compression device is aluminium with planar surface.
- Allows installation of glass up 8+8mm tp 10+10mm laminated glass.
- Space-saving minimalist design.



akosystem.com



A31
SERIES



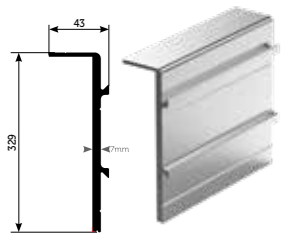
500-311
Glass Base Set-15 Cm



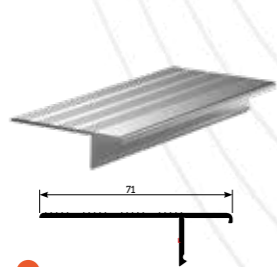
500-312
Glass Base Set-30 Cm



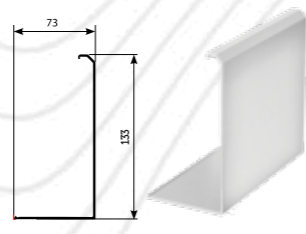
500-313
Endcaps



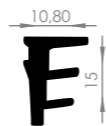
2977
Base Carrier Profile
(6 meters)



2983
Top Cover Profile
(6 meters)

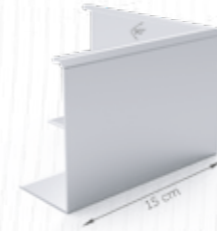


6147
Front Cover Profile
(6 meters)



500-001
Rubber

A31
SERIES



500-314
90° Outer Corner For
6147



500-315
90° Inner Corner For
6147



500-316
45° Outer Corner For
6147

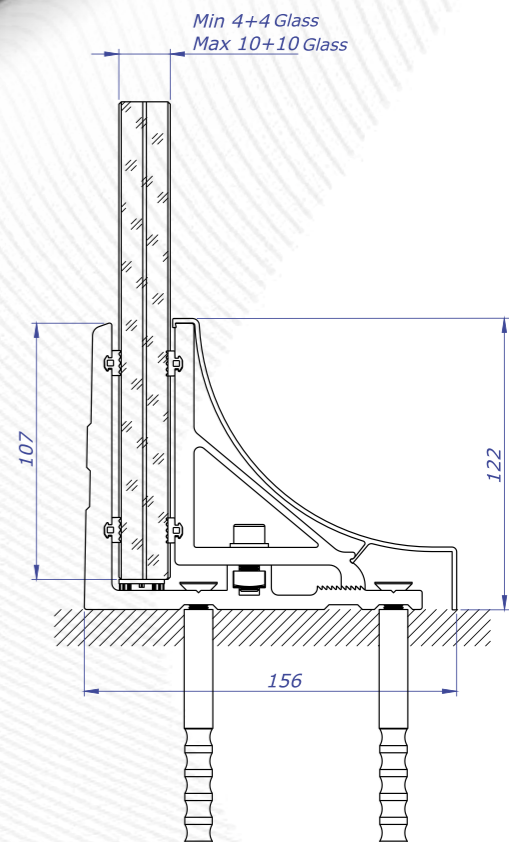
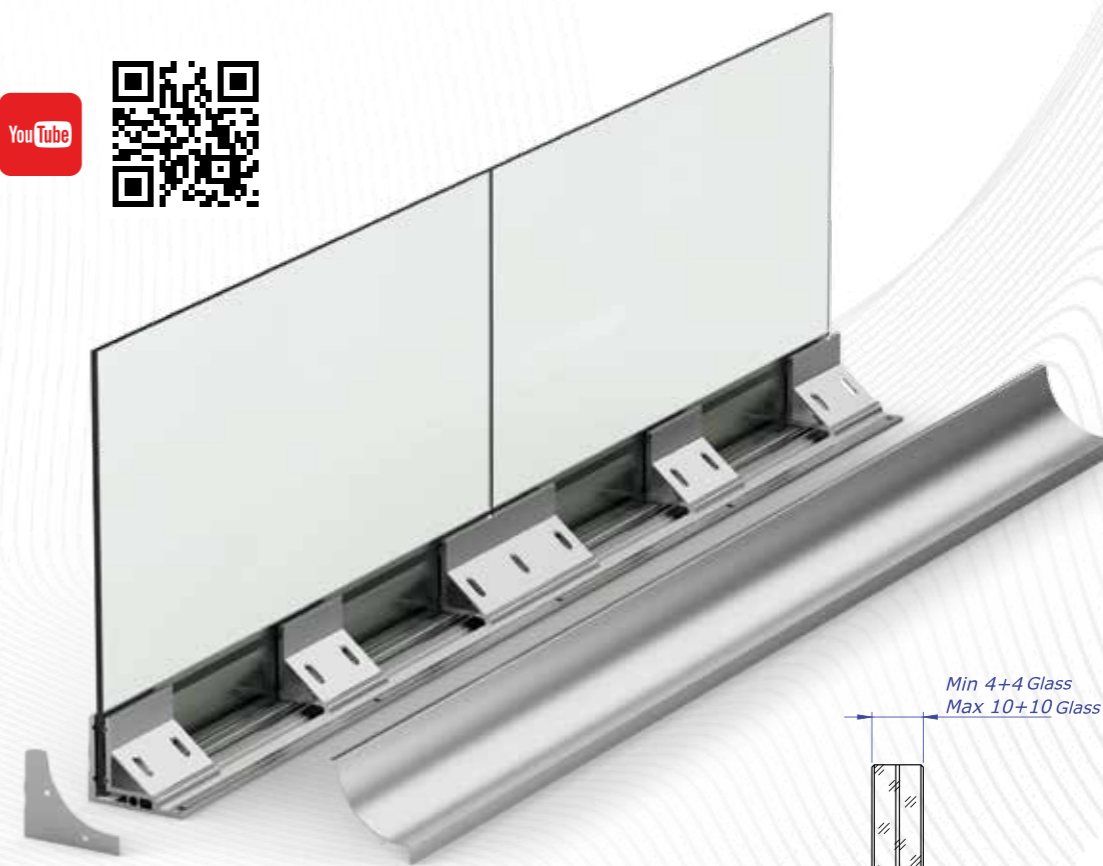


500-317
45° Inner Corner
For 6147





A40 SERIES



Alusmart A40 System is highly recommended for stadiums, auditoriums, theatres, terraces, hotel roofs, schools and more... with its C3-C4 Classification.

- Allows installation of glass up to 20mm.
- Thanks to its curved inner cover profile, it prevents children from reaching the carrier.
- High structural strength, profile design provides maximum security.
- Easy installation saves workmanship and time.
- Because of the glass compression device is made planar and aluminium profile, it does not deform in use for many years and provides high inertia to the system.
- Space-saving minimalist design



akosystem.com



A40 Qualified to get C3-C4 Classification!

Areas where people may congregate and are susceptible to overcrowding.

According to international norms A40 Serie can be used on: theatres, stadiums, cinemas, discotheques, auditoriums, assemble areas and bars and the like.

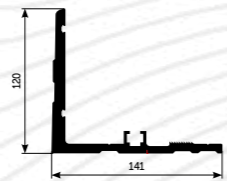
A40
SERIES



500-401
Glass Base Set-15 Cm



500-402
Glass Base Set-30 Cm



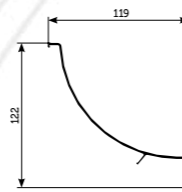
2990
Side Base Profile (6 meters)



500-403
Endcaps

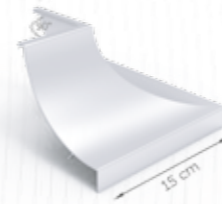


500-002
Rubber



2988
Cover Profile (6 meters)

A40
SERIES



500-404
90° Outer Corner For
2988



500-405
90° Inner Corner For
2988



500-406
45° Outer Corner For
2988



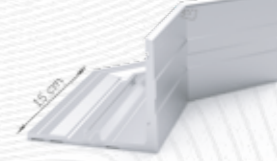
500-407
45° Inner Corner
For 2988



500-408
90° Outer Corner For
2990



500-409
90° Inner Corner For
2990

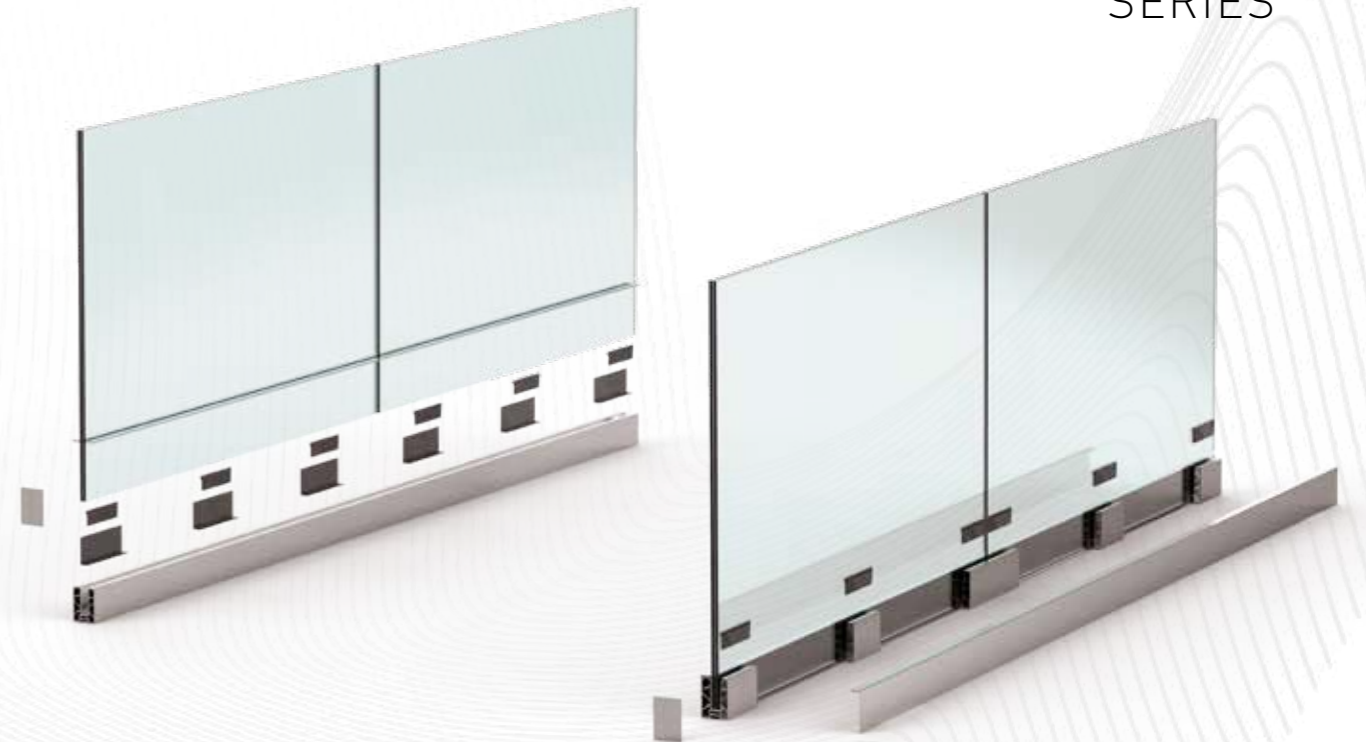


500-410
45° Outer Corner For
2990



500-411
45° Inner Corner
For 2990





Alusmart A50 System developed by our engineers to offer you different installation options such as :

- Partial and full set use according to the project.
- Favorite for projects which need options and high quality.
- High quality with High resistance.
- Offers to install 6+6mm and 8+8mm laminated glass with compression apparatus.

Option 1

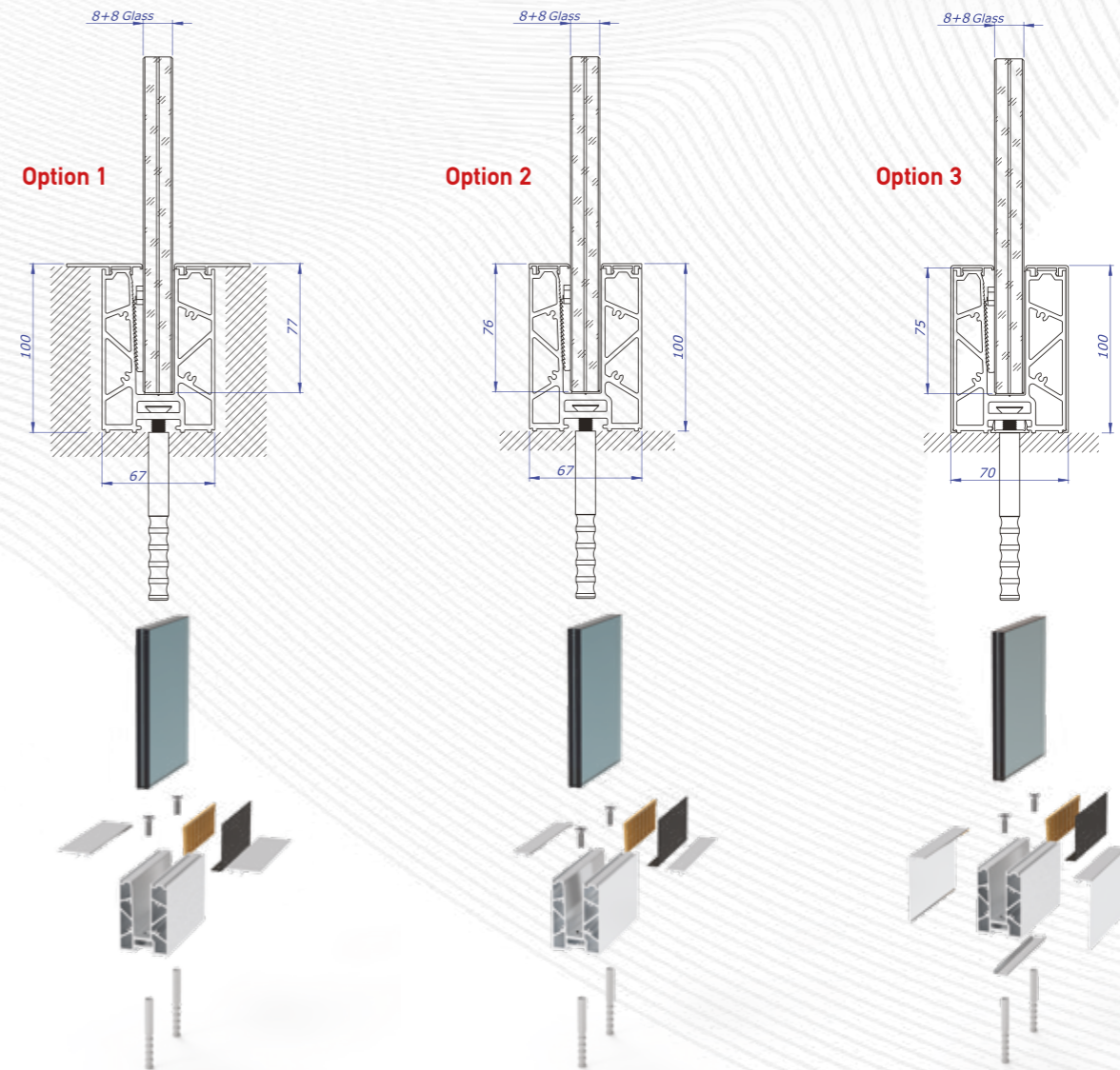
In this application, we have to combine: 6105 as 6-meter whole profile then we need 6148 as 6-meter whole profile. 6148 will be polished and anodized. (2 pieces 6148 for 1 piece 6105) Inside of the system, there will be 500-012 according to your glass dimensions due to tighten and secure the glass.

Option 2

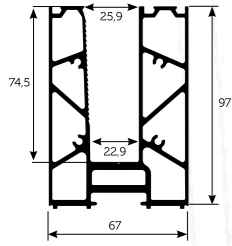
In this application, we have to combine: 6105 as 6-meter whole profile and 6107 as 6-meter whole profile. Both 6105 and 6107 will be polished and anodized. (2 pieces 6107 for 1 piece 6105) For inside of the system, there will be 500-012 according to your glass dimensions due to tighten and secure the glass. If your Project is not Wall to Wall, also 500-503 will include as an endcap.

Option 3

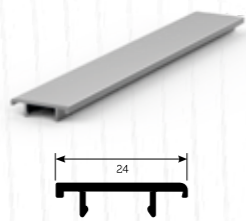
In this application, we have to combine: 2911 as 6-meter whole profile due to aligning the system. 500-101 and 500-102 according to your glass and Project dimensions. (500-101 and 500-102 has plastic compression sets inside) On the last step, 6106 as 6-meter whole profile due to cover profile. This product will be polished and anodized. Also, If your Project is not Wall to Wall, you will need 500-503 as an endcap.



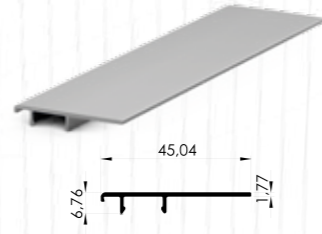
A50 SERIES



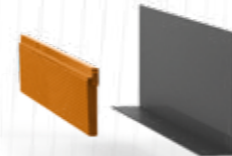
6105
Glass Base Profile
(6 meters)



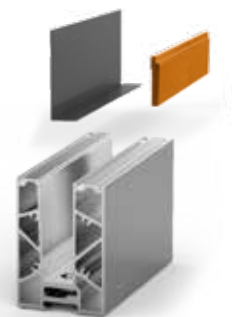
6107
Top Cover Profile
(6 meters)



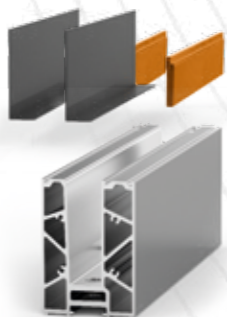
6148
Top Cover Profile
(6 meters)



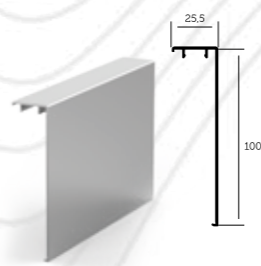
500-012
Plastic Compression
Set



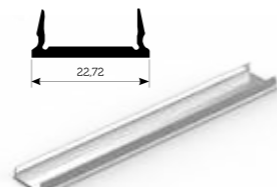
500-501
Glass Base Set-15 Cm



500-502
Glass Base Set-30 Cm



6106
Cover Profile
(6 meters)



2911
Align Profile
(6 meters)

A50 SERIES



500-503
Endcaps



500-504
90° Outer Corner For
6106



500-505
90° Inner Corner For
6106



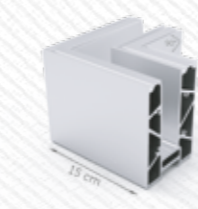
500-506
45° Outer Corner For
6106



500-507
45° Inner Corner
For 6106



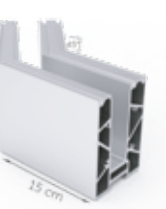
500-508
90° Inner Corner For
6105



500-509
90° Outer Corner For
6105



500-510
45° Inner Corner For
6105



500-511
45° Outer Corner
For 6105



500-028
Plastic Compression
Apparatus For 6+6 mm Glass



500-001
Rubber



500-016
8 Metric Anchor



500-018
Inox Bolt M8x25



A51

SERIES

akosystem.com

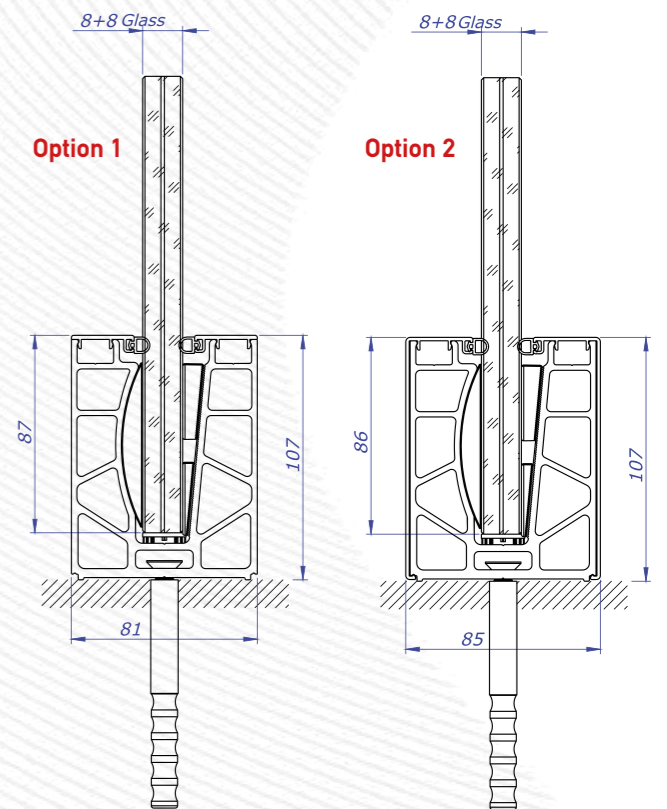


Everyone who uses Akos products are more or less familiar with the operation logic of our Alusmart A11 system. The A51, which we developed this year, combined the operation logic of A11 with the usage of 6 meters of profile. It is possible to balance the glass to be used in the project with A51 on problematic surfaces that need to be adjusted to the glass.

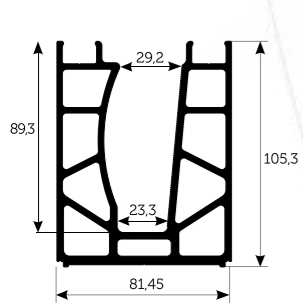
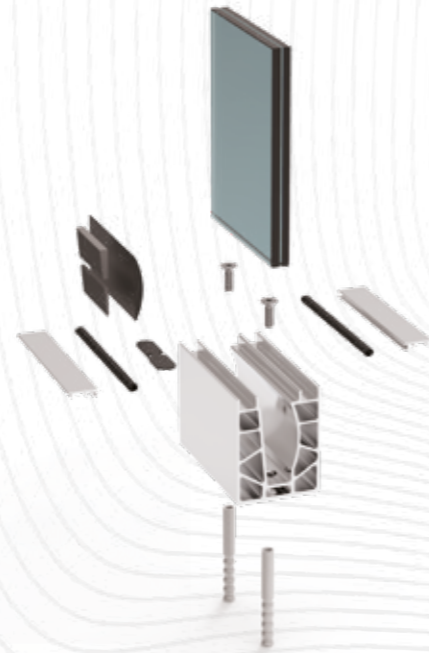
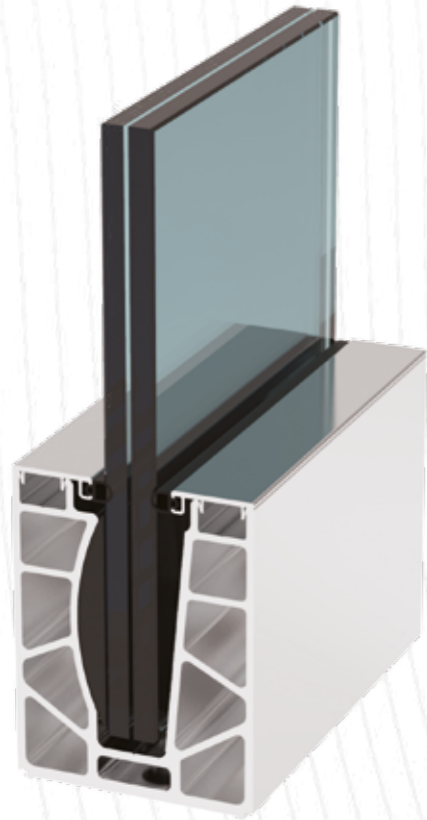
With its unique plastic structure inside, allows us to align the glass approximately 3° on both sides. Also 6 meter whole profile usage makes the montage process even easier. As a standard, the A52 system has been developed for 8 + 8 laminated glass, which is commonly used in European Countries. It offers maximum robustness and maximum safety in such uses.

Also with the unique plastic thickening apparatus, A51 system is suitable with 6+6 laminated glasses as well. It is also possible to use this system in pieces with the cover profile to be used outside. In this way, there will be a decrease in costs. Even so, the system offers greater strength than its competitor's thanks to its thick profile structure.

The A52 system will be the best solution for anyone who is solution-oriented and cares about time. While the A52 system provides maximum durability with minimum labor, it is also a system that can be used in any project thanks to the glass adjustment.



A51 SERIES



6110
Glass Base Profile
(6 meters)



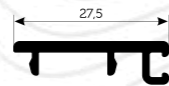
500-551
Glass Base Set-15 Cm



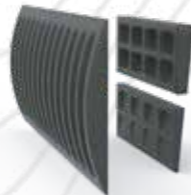
6111
Cover Profile (6 meters)



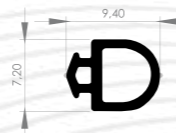
500-552
Glass Base Set-30 Cm



6112
Top Cover Profile (6 meters)



500-553
Plastic Compression Set



500-116
Rubber



500-554
Endcaps

A51 SERIES



500-555
90° Outer Corner For
6111



500-559
90° Inner Corner For
6110



500-556
90° Inner Corner For
6111



500-560
90° Outer Corner For
6110



500-557
45° Outer Corner For
6111



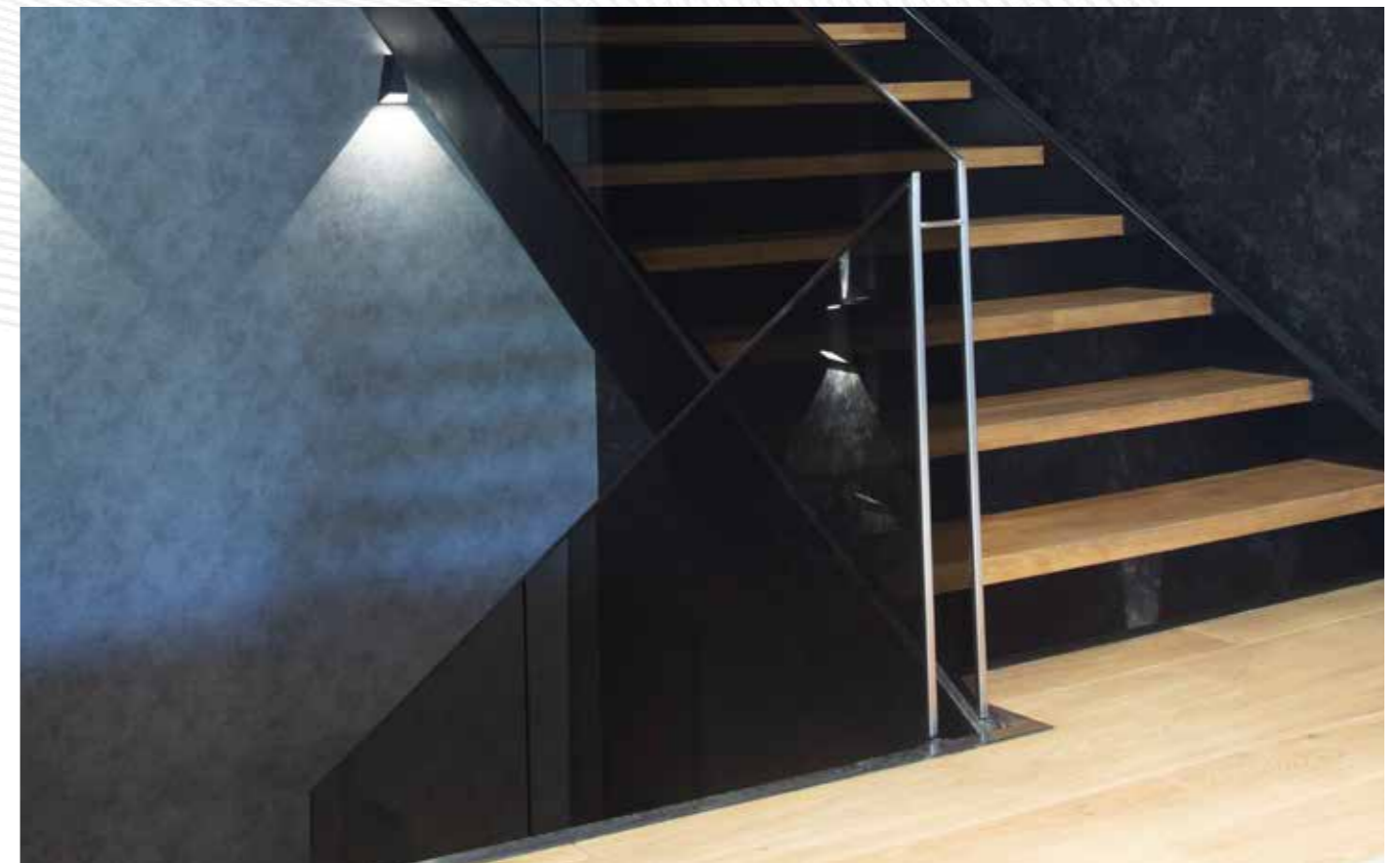
500-561
45° Inner Corner For
6110



500-558
45° Inner Corner
For 6111



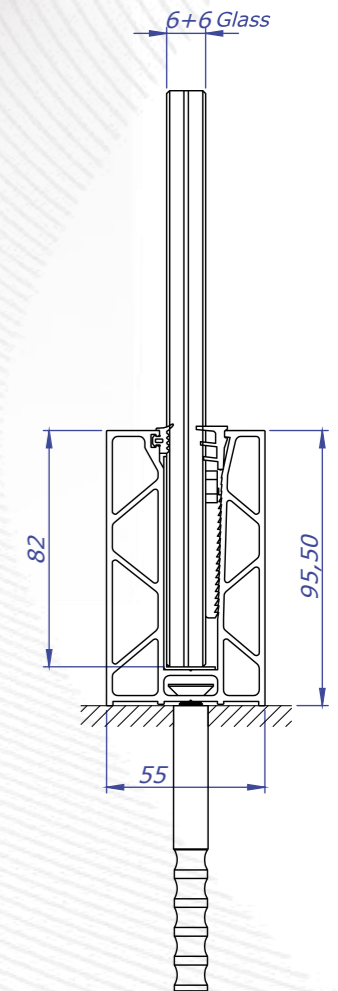
500-562
45° Outer Corner
For 6110





A52 SERIES

akosystem.com



Brand new A52 provides to use 6 meter whole profile system with 6+6 laminated glasses. Also with the unique plastic thickening apparatus, A52 suitable with 5+5 laminated glasses as well. In this way, project owners will save on both glass costs and glass supporter costs.

Thanks to its small but maximum durability profile structure, A52 is the most robust glass supporter system with minimum costs. Another advantage of our A52 system is that it takes up less space from the space on the balconies thanks to its tiny structure. In this way, it also offers the best solution for small balconies.

As a result, A52 will offer the most suitable solution for all project owners who want to achieve maximum benefits with minimum costs.

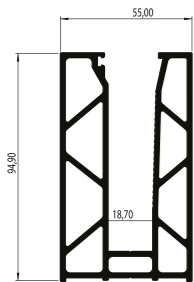
A52 SERIES

A52 SERIES

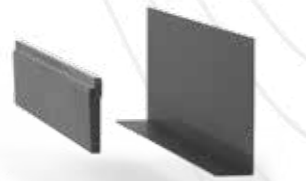


Alusmart A52 System is the best solution for everyone who is solution oriented and want to achieve maximum benefits with minimum cost.

- Allows the use of the entire 6-meter profile system with 6+6mm laminated glasses
- Provides maximum durability with minimum cost
- System is suitable to any project with its glass adjustment



4044
A52 Glass Base
Profile - 6 Meters



500-012
Plastic Compression Set



500-028
Plastic Compression
Apparatus For 10 mm Glass



500-525
Endcaps



500-521
90° Inner Corner For
4044



500-522
90° Outer Corner
For 4044



500-523
45° Inner Corner For 4044



500-524
45° Outer Corner
For 4044



500-792
Rubber



500-001
Rubber



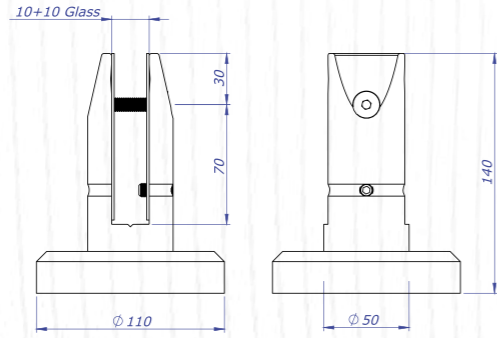
500-016
8 Metric Anchor



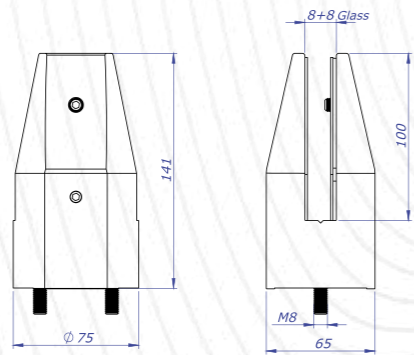
500-018
Inox Bolt M8x25



A60 SERIES



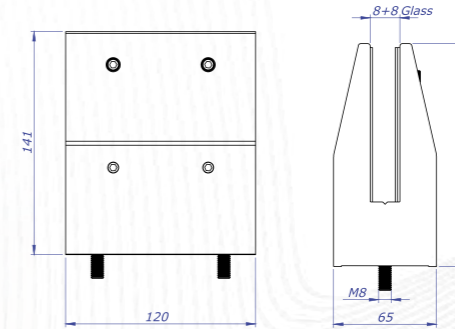
500-601
Round Glass Holder



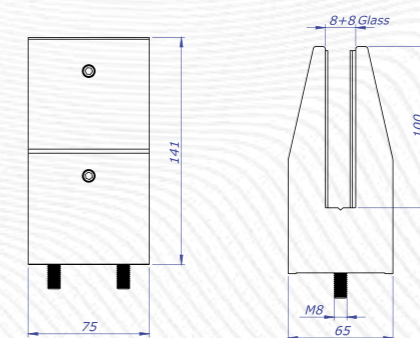
500-603
Elliptical Glass Holder



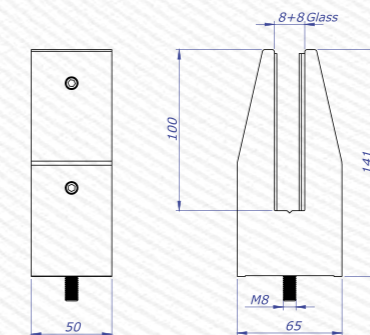
A60 SERIES



500-604
Block Type Glass Holder (12cm)



500-606
Block Type Glass Holder (7,5 cm)

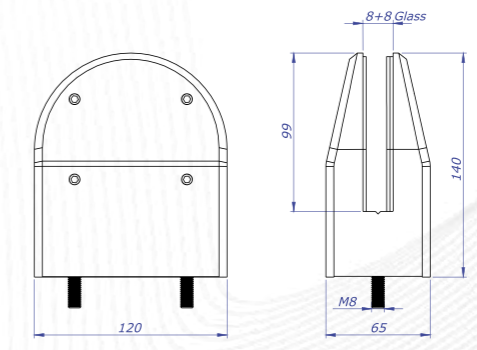


500-607
Block Type Glass Holder (5 cm)

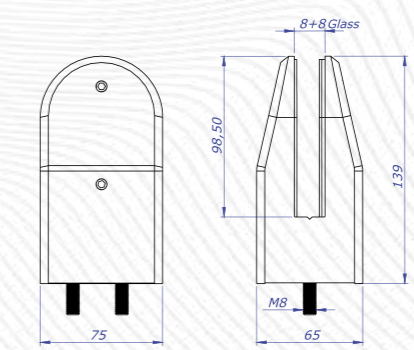




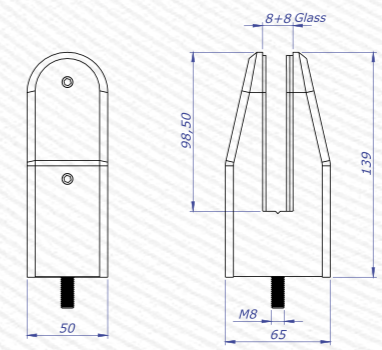
A60
SERIES



500-614
Oval Top Glass Holder - 12 cm



500-615
Oval Top Glass Holder - 7,5 cm



500-616
Oval Top Glass Holder - 5 cm

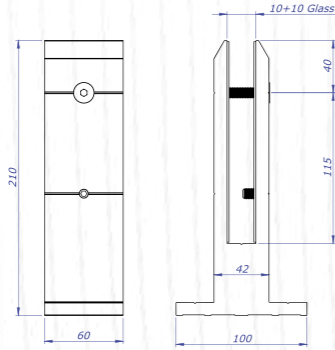


A60 SERIES

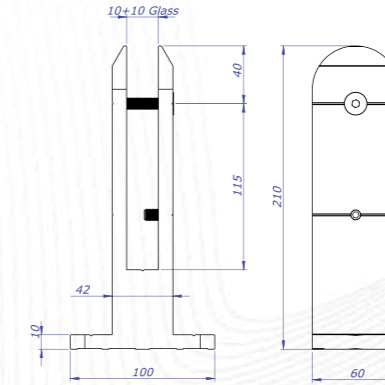
A60 SERIES



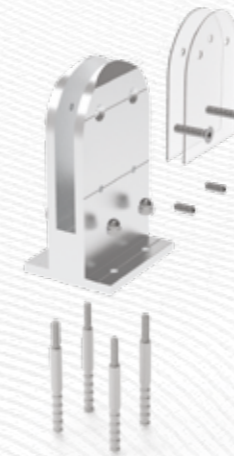
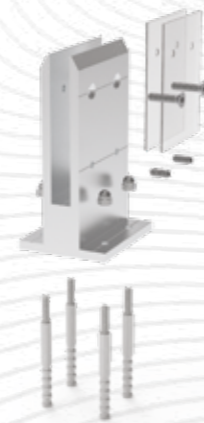
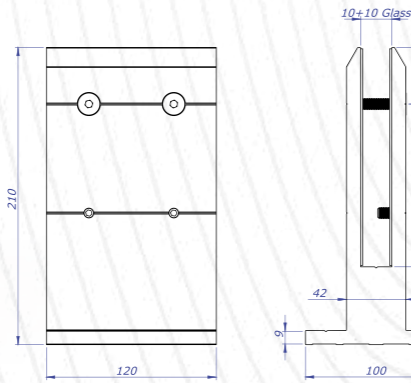
500-602
Square Glass Holder



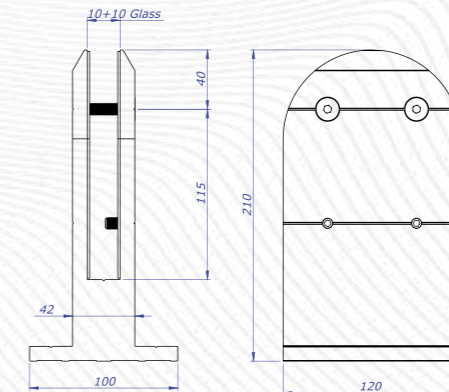
500-609
Glass Holder with Radius



500-618
Square Glass Holder 12 cm



500-617
Glass Holder with Radius 12 cm



500-608
Square Glass Holder Cover (For 500-602)

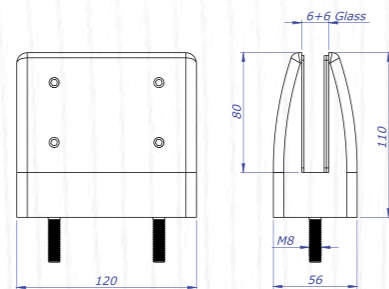


500-619
Round Glass Holder (For 500-609)

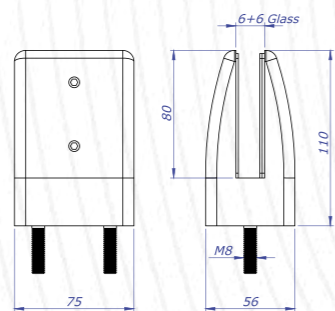
A60 SERIES



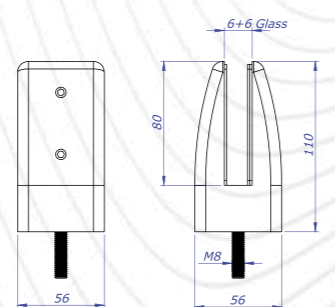
500-630
Block Type Glass Holder - 12 cm



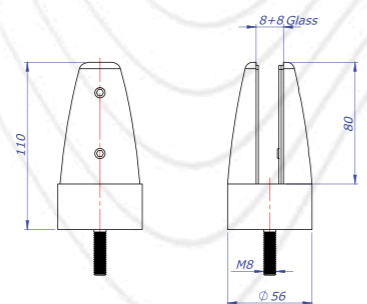
500-631
Block Type Glass Holder - 7,5 cm



500-632
Block Type Glass Holder - 5,6 cm



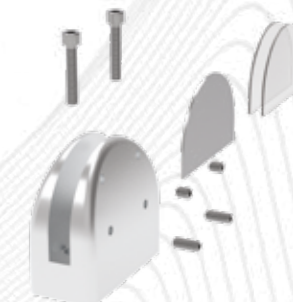
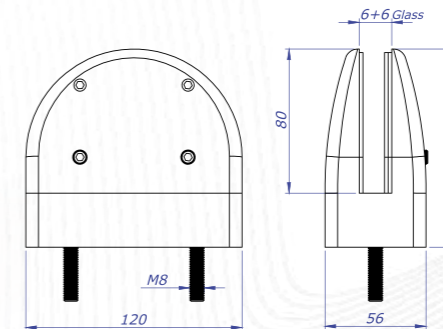
500-605
Small Glass Holder



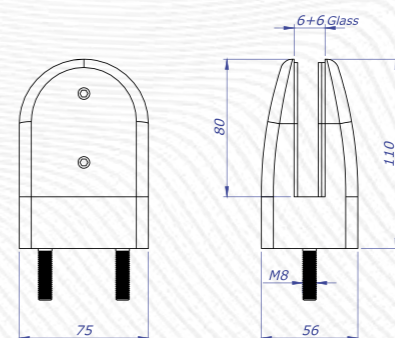
A60 SERIES



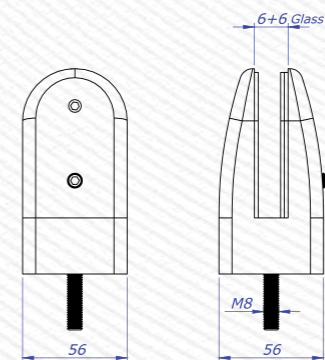
500-633
Block Type Glass Holder - 12 cm



500-634
Block Type Glass Holder - 7,5 cm

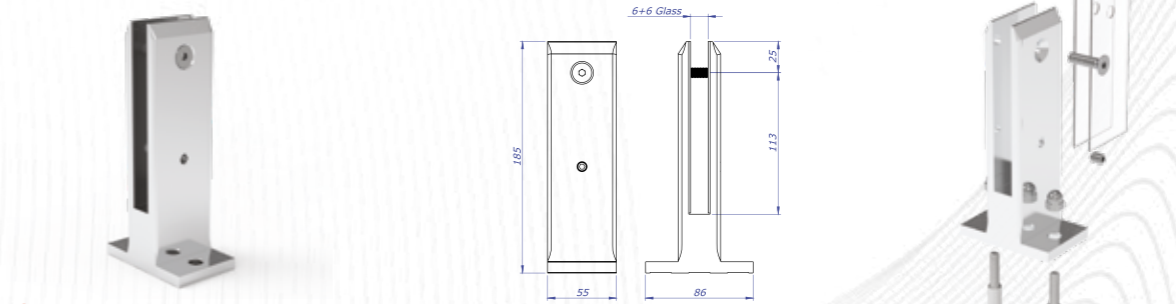


500-635
Block Type Glass Holder - 5,6 cm

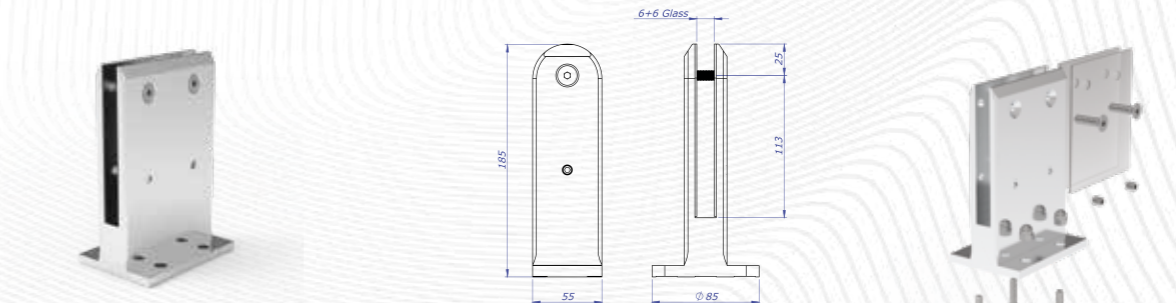




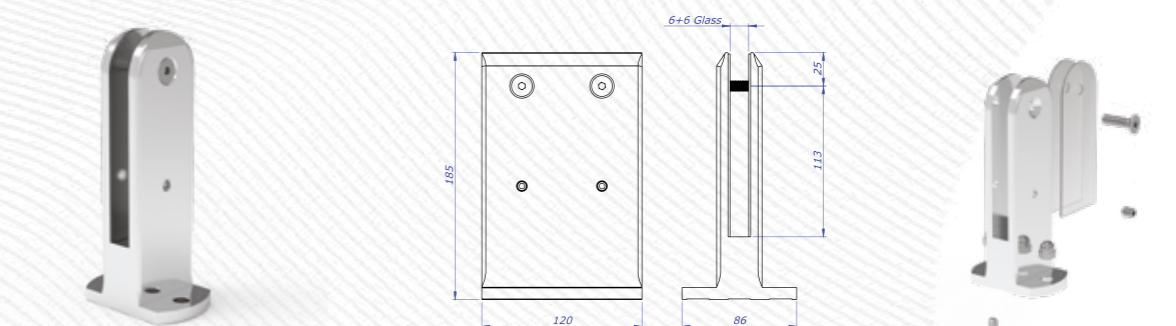
A60
SERIES



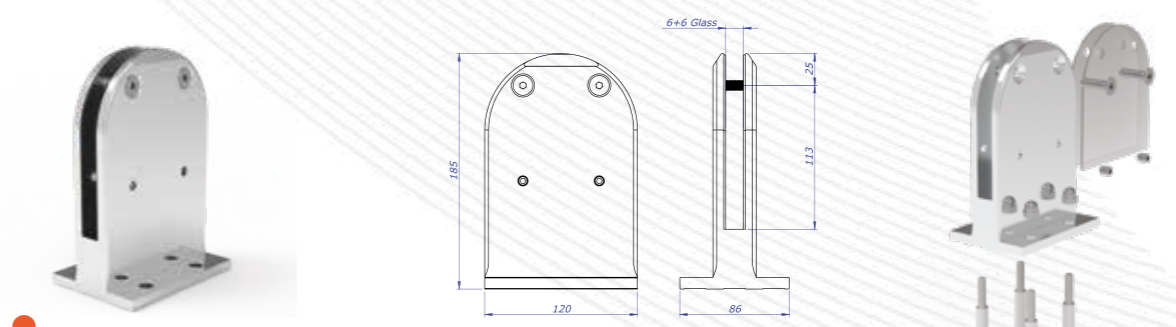
500-636
Minor Square Glass Holder - 5,50 cm



500-637
Minor Square Glass Holder - 12 cm

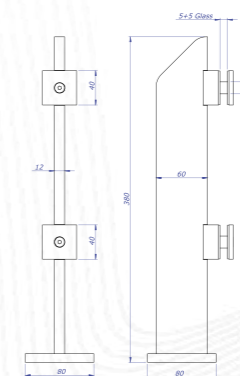


500-638
Minor Glass Holder with Radius - 5,50 cm

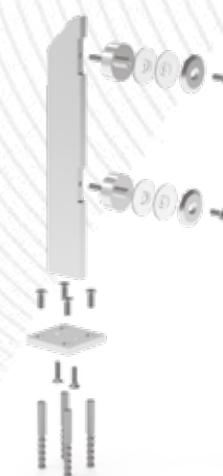
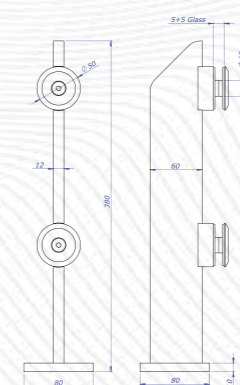


500-639
Minor Glass Holder with Radius - 12 cm

A60
SERIES



500-610
Double Glass Connector
With Lama Pillar - Square



500-611
Double Glass Connector
With Lama Pillar - Round



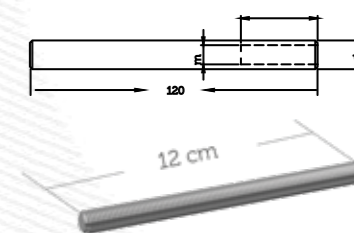
450-302
Cover For Single Lama



500-015
8 Metric Anchor



500-018
Inox Bolt M8x25



500-027
12 cm 8 Metric Bolt



A60
SERIES

A60
SERIES



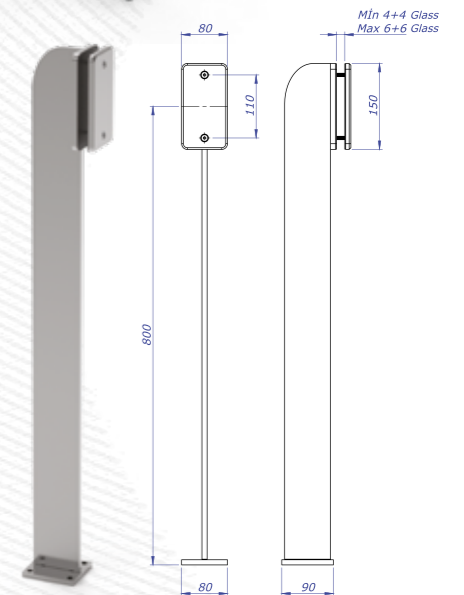
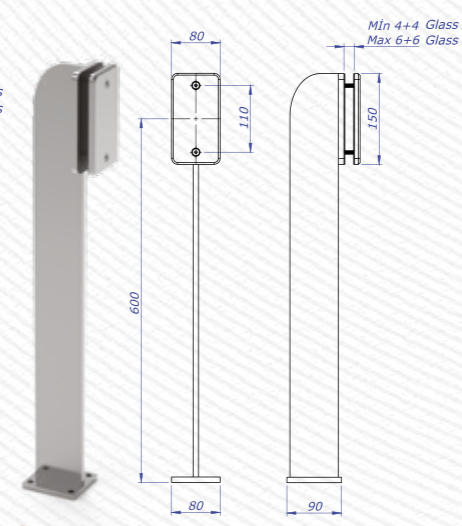
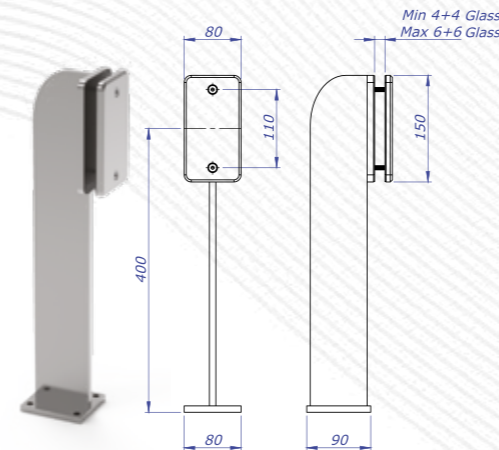
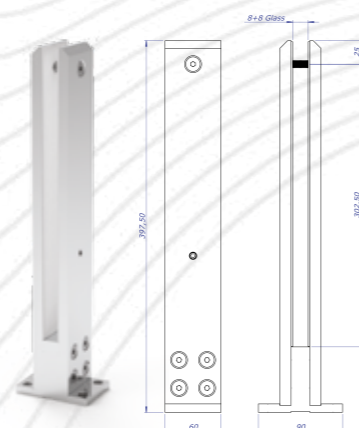
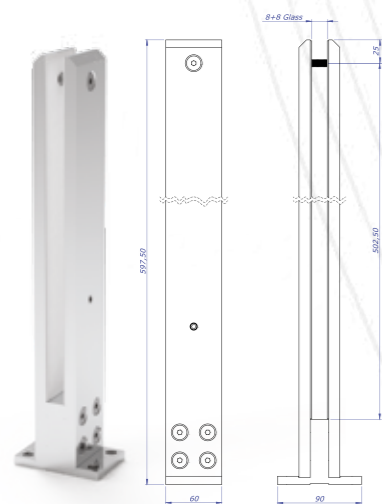
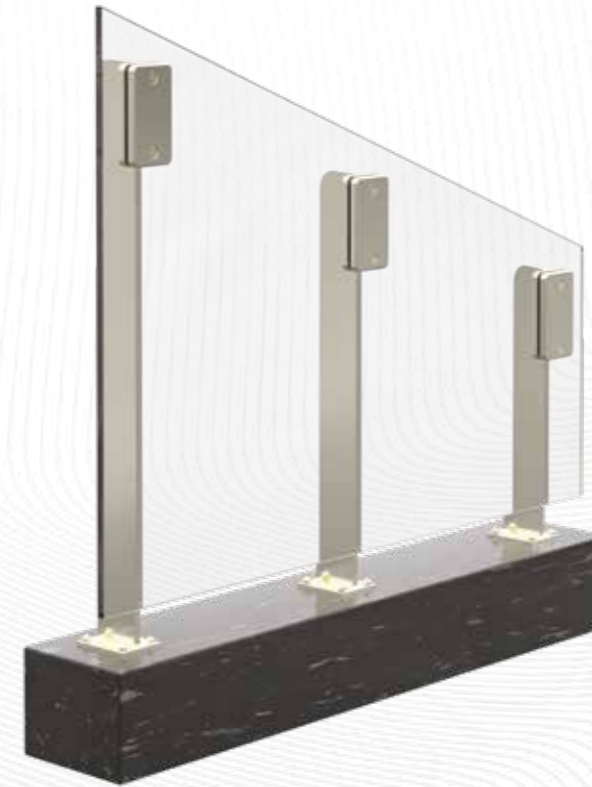
500-650
Extended Square Glass Holder - 6 cm

500-660
Platinum Serie Glass Holder



A60 SERIES

A60 SERIES



500-650
Extended Square Glass Holder - 6 cm
(Height 60 cm)

500-651
Extended Square Glass Holder - 6 cm
(Height 40 cm)

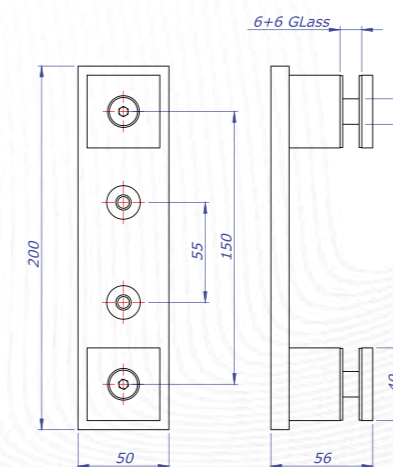
500-660
Platinum Serie Glass Holder
(Height 40 cm)

500-661
Platinum Serie Glass Holder
(Height 60 cm)

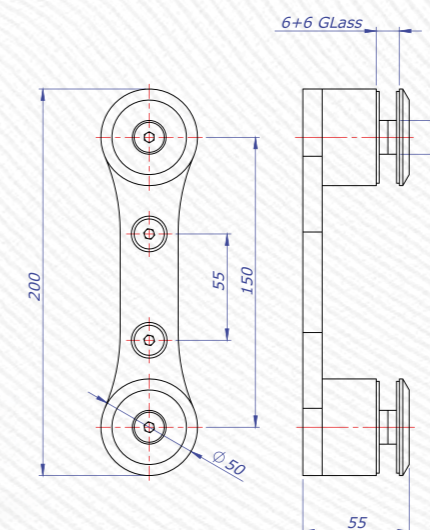
500-662
Platinum Serie Glass Holder
(Height 80 cm)



A60
SERIES



500-612
Double Glass Connection
Socket - Square



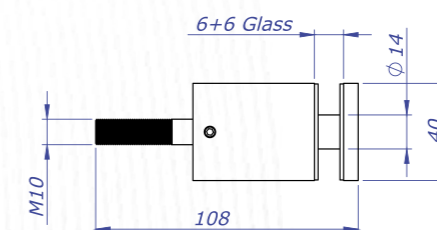
500-613
Double Glass Connection
Socket - Round



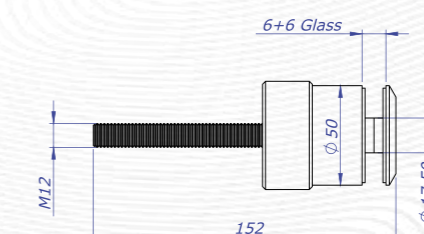
A60
SERIES



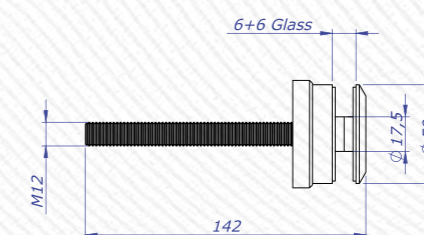
500-620
40 X 40 Glass To Wall
Connector



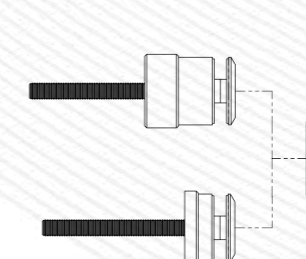
100-912
Glass Side Connector (Ø50)



100-921
Small Glass To Wall
Connector (Ø50)

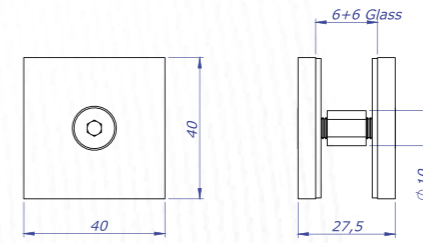


100-922
Glass To Wall Connector
Cover (Ø50)

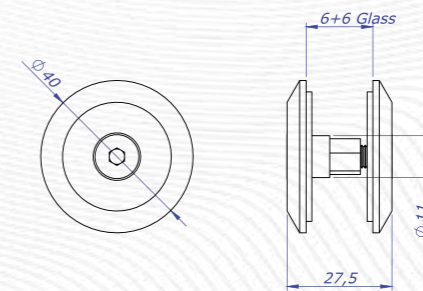




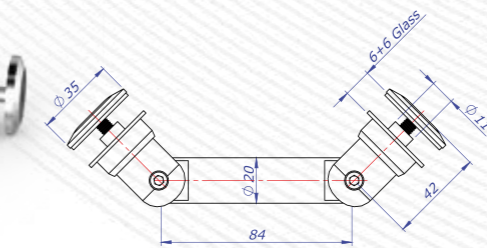
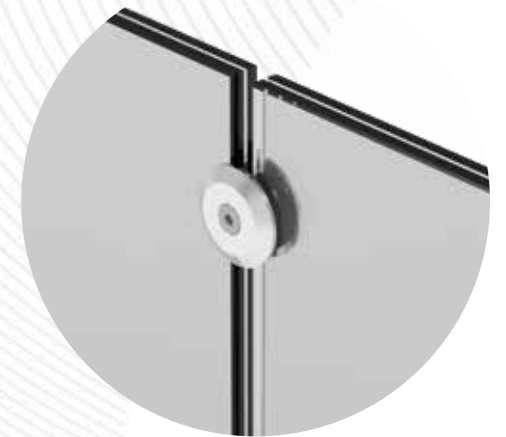
A60
SERIES



500-621
Glass Aligner (Square)



500-622
Glass Aligner (Round)

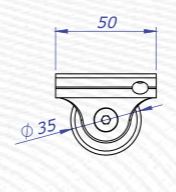
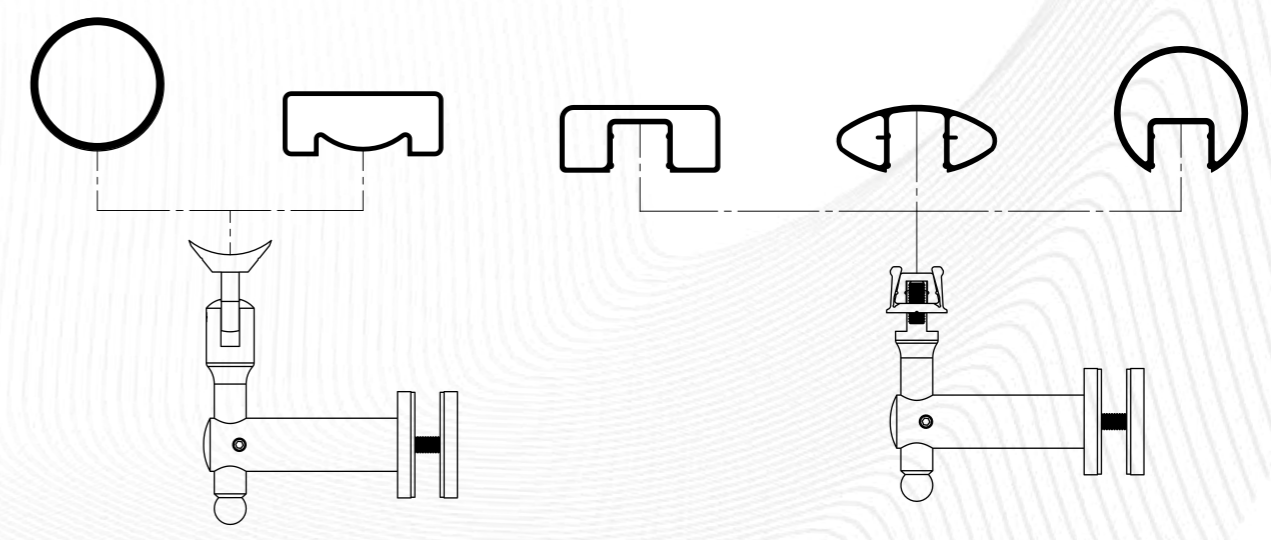


500-623
Double Glass Interconnection
Spider

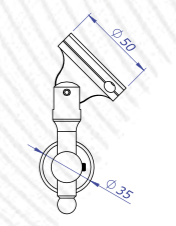
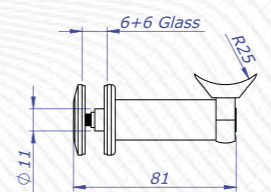




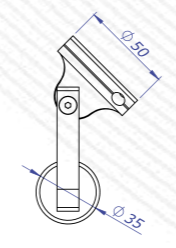
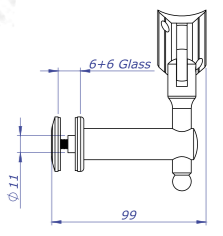
A60
SERIES



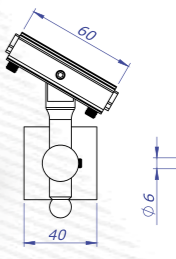
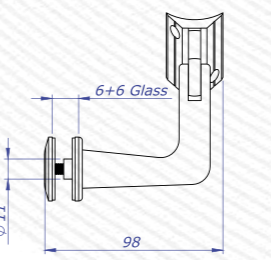
100-910
Glass Side Connector-(Ø50)



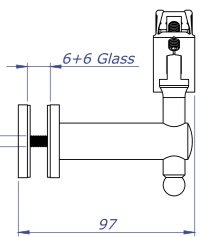
100-911
Glass "L" Side Connector-(Ø50)



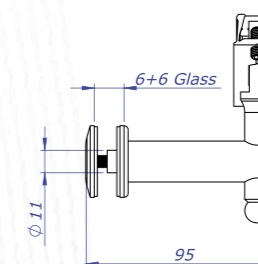
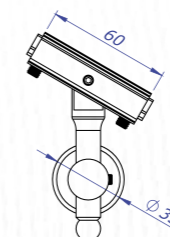
100-913
Glass "L" Side Connector-(Ø50)



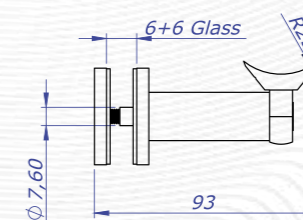
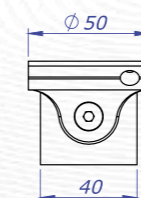
100-914
Square Glass "L" Side Connector



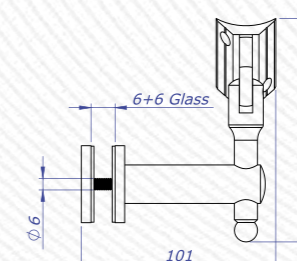
A60
SERIES



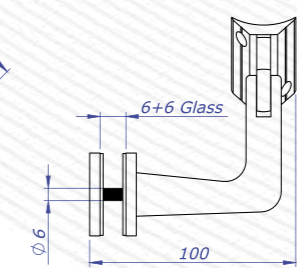
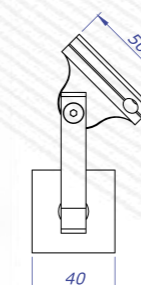
100-915
Glass "L" Side Connector-(Ø50)



100-918
Square Glass Side Connector-(Ø50)



100-919
Square Glass "L" Side Connector-(Ø50)

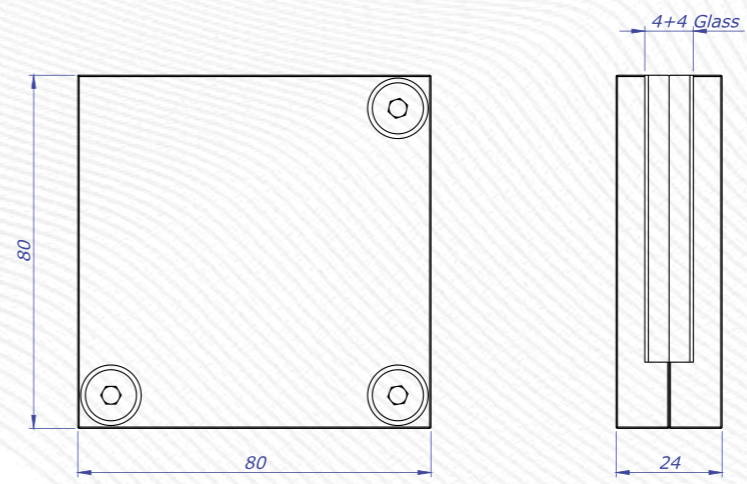


100-920
Square Glass "L" Side Connector-(Ø50)





A66 SERIES



Alusmart A66 offers a new design French Balcony Glass Holder with easy mounting and high safety

- Easy montage
- Strong and Durable Product Quality
- 4 mm. + 4mm. = 8mm. Glass Thickness
- Aesthetic and Minimalist Details
- Affordable Cost



500-640
A66 Glass Holder



500-016
8 Metric Anchor



500-018
Inox Bolt M8x25





*A stylish solution
for complex situations.*

ALUSMART SERIES



150-506
50° Bend With Glass
Channel 90°



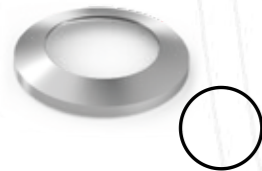
150-508
50° Bend With Glass
Channel 45°



150-302
50° Ground Flange
Externally Screwed



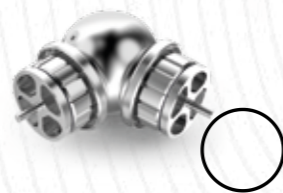
150-303
50° Wall Flange
(Double Hole)



150-304
50° Ground Flange
Cover



150-305
50° Adjustable Wall
Flange



150-501
50° Smart Sphere
Elbow



150-502
50° Smart Sphere Elbow
(ECO)



150-503
50° Inflate Bend 90°



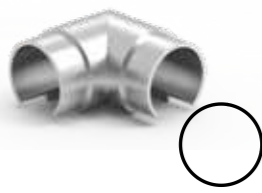
150-504
50° Inflate Bend 45°



150-601
50° Smart Pipe
Connector



150-603
50° Ring (3 cm)



150-518
50° Inward Bend With
Glass Channel 90°



150-519
50° Inward Bend With
Glass Channel 45°

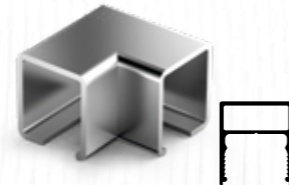


150-701
50° Plug



150-704
50° Plug With Channel

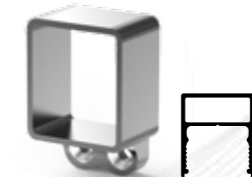
ALUSMART SERIES



230-502
26X30 mm In Side Corner
For Glass 90°



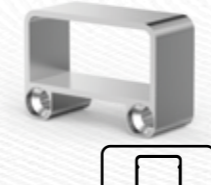
230-503
26X30 mm Out Side
Corner For Glass 45°



230-301
26X30 mm Wall Flange



230-701
26X30 mm Square
Plug



260-305
60X25 mm Wall Flange



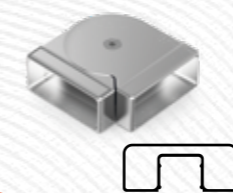
260-501
60X25 mm Square Elbow
With Horizontal Moving



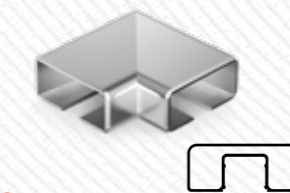
260-502
60X25 mm Square Elbow
With One Side Moving



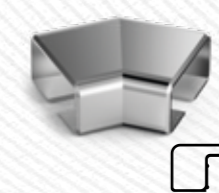
260-503
60X25 mm Square Elbow
With Vertical Moving



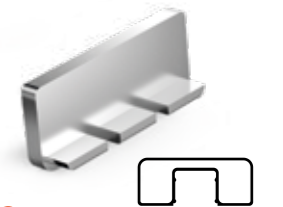
260-504
60X25 mm Square
Elbow With Side
Moving



260-508
60X25 mm Square Elbow
90° (Middle Channel)



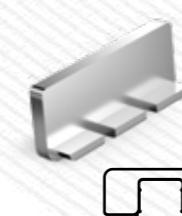
260-509
60X25 mm Square Elbow
45° (Middle Channel)



260-702
60X25 mm Square
Plug



260-601
60X25 mm Ring



260-702
60X25 mm Square Plug



260-301
60X25 mm Wall Flange

ALUSMART SERIES



360-513
Elliptic 60x25 Elbow 90°
(Middle Channel)



360-514
Elliptic 60x25 Elbow 45°
(Middle Channel)



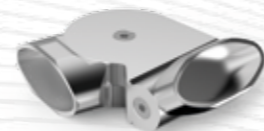
360-301
360-301 Elliptic 60x25
Wall Flange



360-701
Elliptic 60x25 Plug



360-501
Elliptic 60x25 Elbow for
Both Side Moving



360-502
Elliptic 60x25 Elbow With
One Side Moving



360-503
Elliptic 60x25 Elbow
With Vertical Moving



360-504
Elliptic 60x25 Elbow
With Side Moving



360-601
Elliptic 60x25 Ring

ALUSMART SERIES



100-001
Pistol for 410 gr



100-002
410 gr Epoxy
Adhesive



100-006
Granit Cutter Tool



500-013
8 Metric Anchor



500-014
8 Metric Anchor



500-015
8 Metric Anchor



500-016
8 Metric Anchor



500-017
15 cm Screw + Dowel



500-018
Inox Bolt M8x25

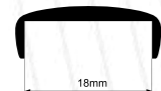


500-019
Bolt M8

ALUSMART SERIES



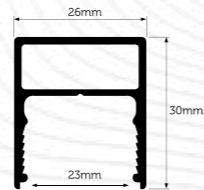
2994
Glass Cover Profile
For Top



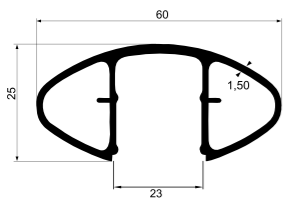
2995
Glass Cover Profile
For Top



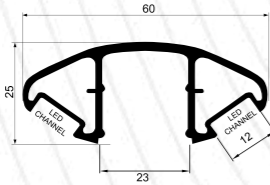
6109
Glass Cover Profile For
Top 0,548 Kg/M



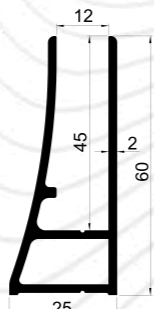
08-078
0,699 Kg/Mt



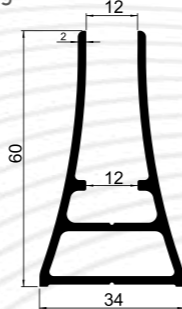
6149
Top Handrail With Led
Channel 0,743 Kg/Mt



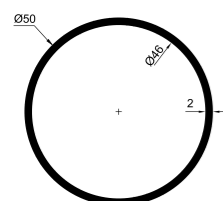
2917
0,892 Kg/M



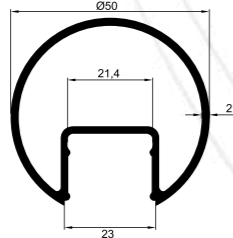
2918
1.002 Kg/M



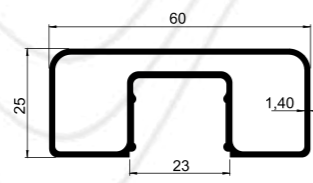
2003
0,815 Kg/M



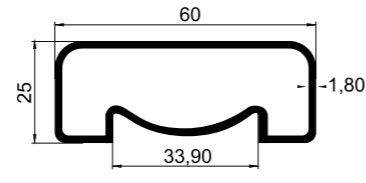
2919
0,980 Kg/M



2907
0,775 Kg/M

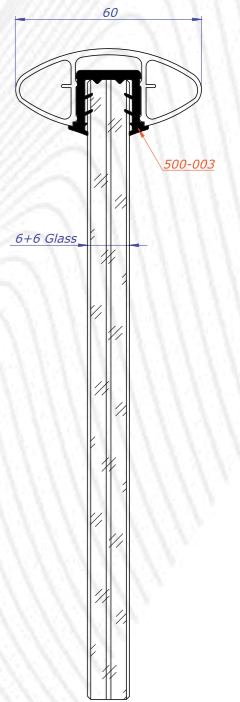
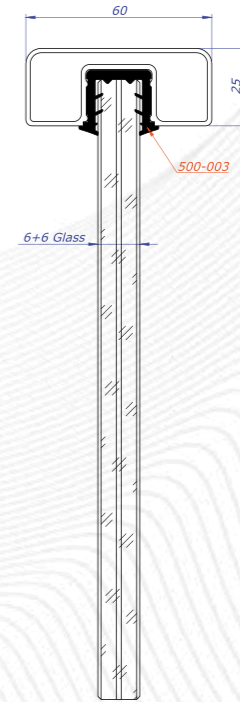
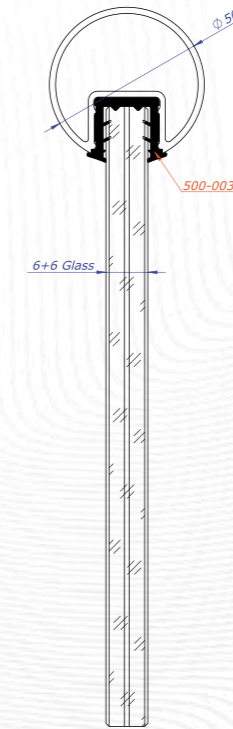


2600
1.002 Kg/M

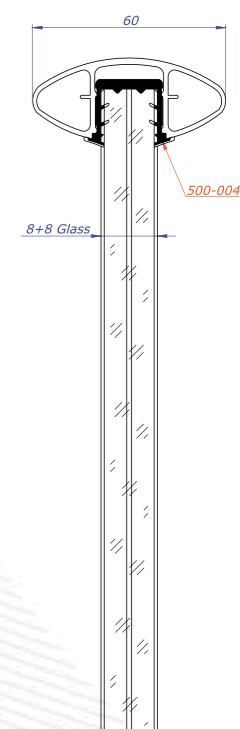
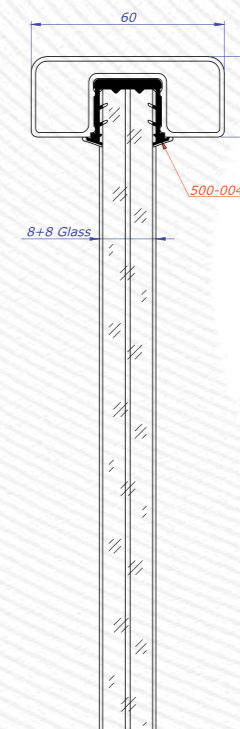
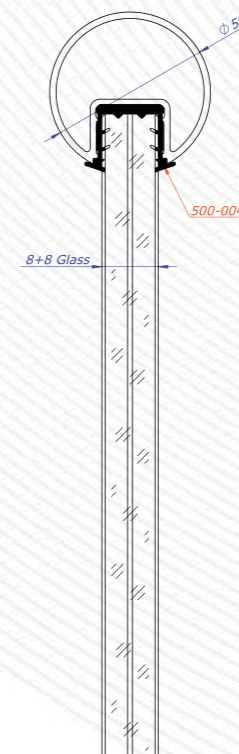
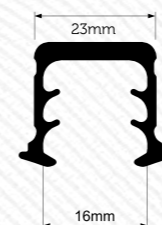


ALUSMART SERIES

500-003
Glass Connection Rubber



500-004
Glass Connection Rubber





- Resistant. Due to the profile cross-section details, it shows high resistance against excessive strain loads.
- Suitable for both indoor and outdoor usage.
- It can be easily used on the oceansides, on exterior facades with high wind load and security in desired interior spaces.
- Easy Installation.
- Unlimited model option.
- Practical solutions for of any kind of complex detection.
- Round, Square and all of the elliptical systems can be used with the Alumax.
- With glass models also create an aesthetic beauty.

ALUMAX 400 SERIES





ALUMAX 400

SERIES

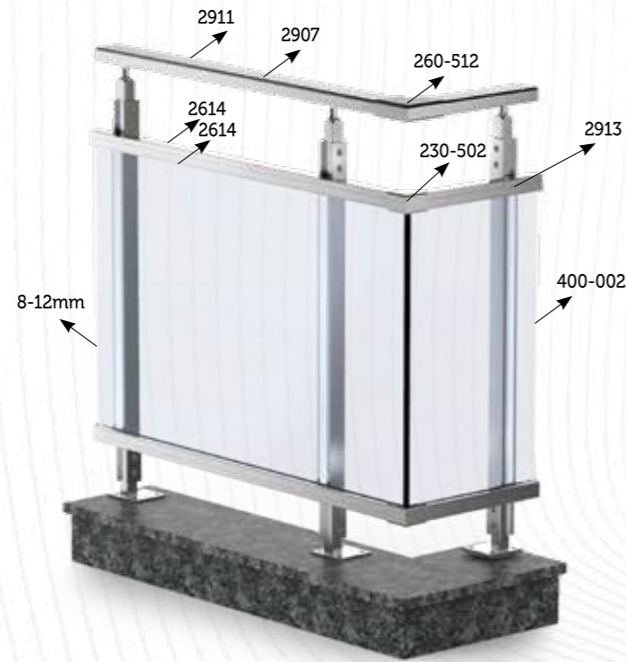


ALUMAX SERIES

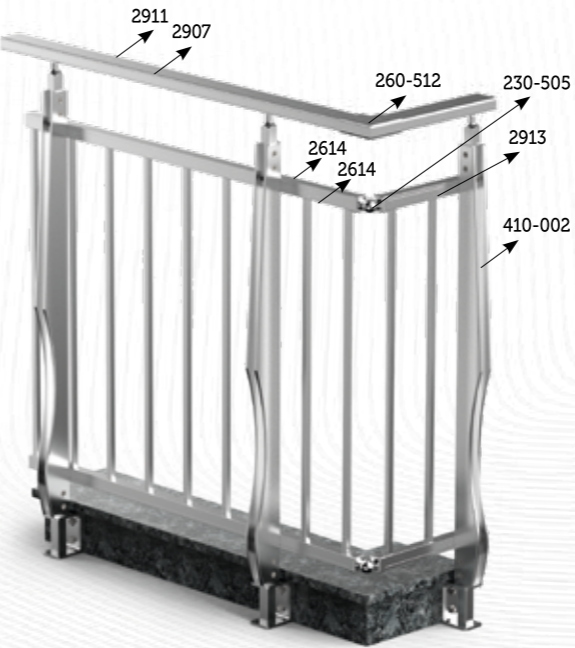
Lama Strut Railing System Application Details



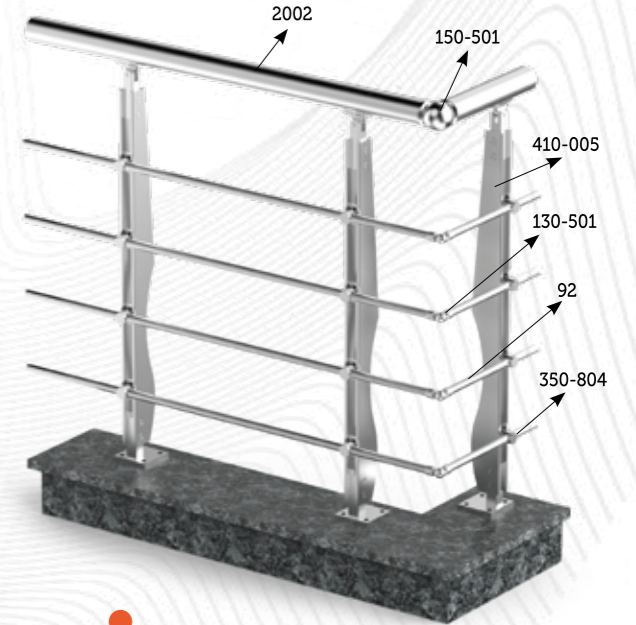
● Sofia



● Astana



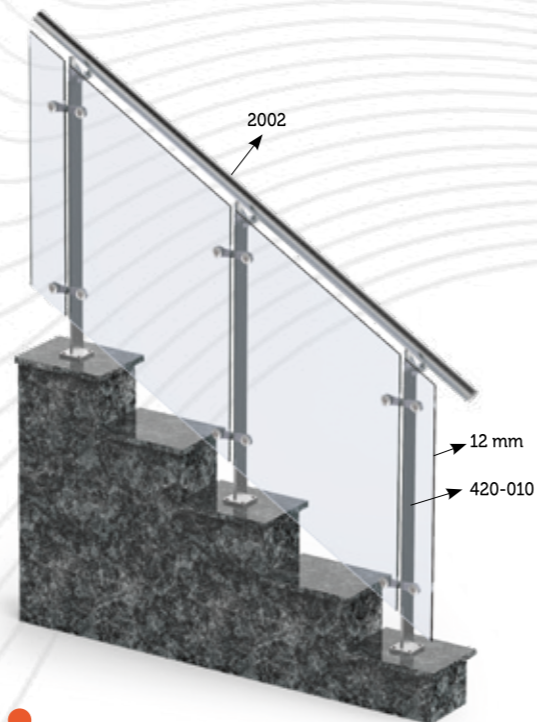
● Cairo



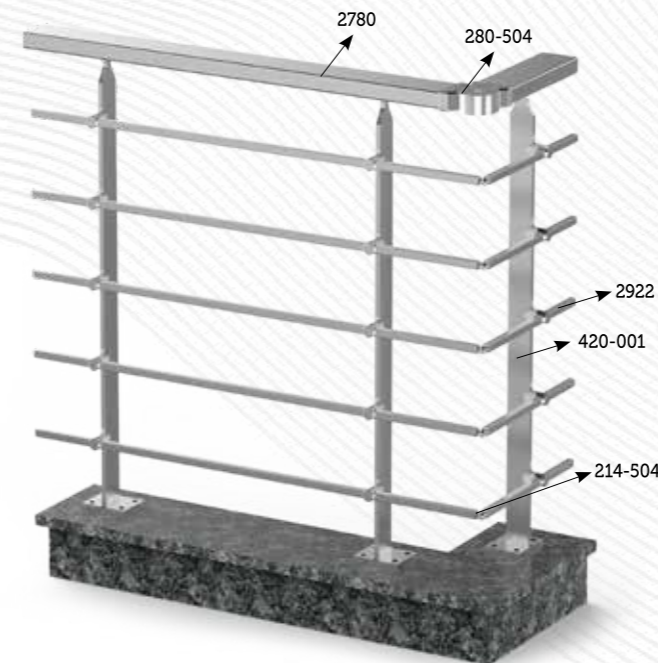
● Sarajevo



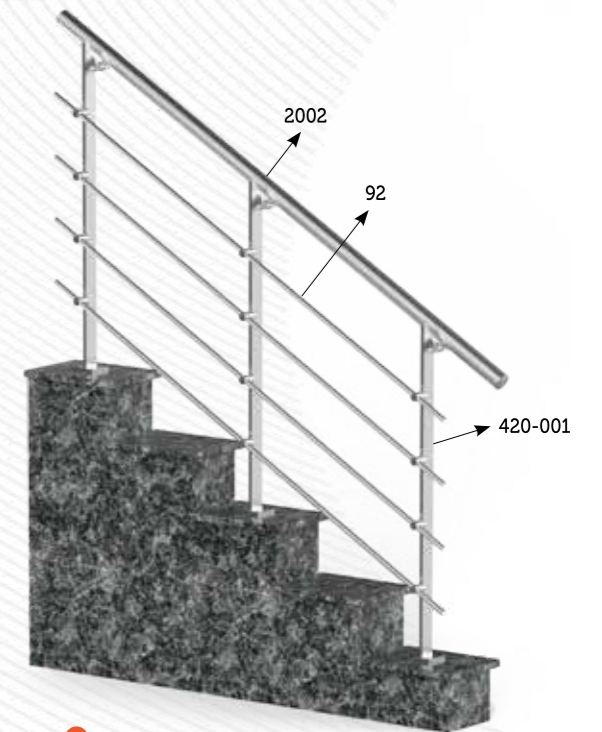
● Algeria



● Tbilisi



● Rome



● Beirut

ALUMAX SERIES

Lama Strut Railing System Application Details

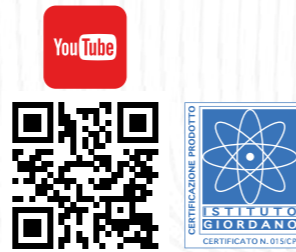
ALUMAX

SERIES

Installation Videos



E100
SERIES



DD100
SERIES



D200
SERIES



ALUMAX

SERIES

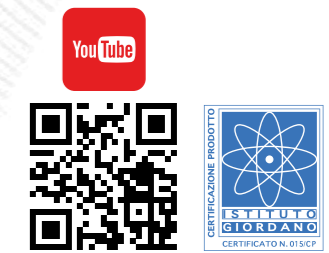
Installation Videos



S100
SERIES



D100
SERIES

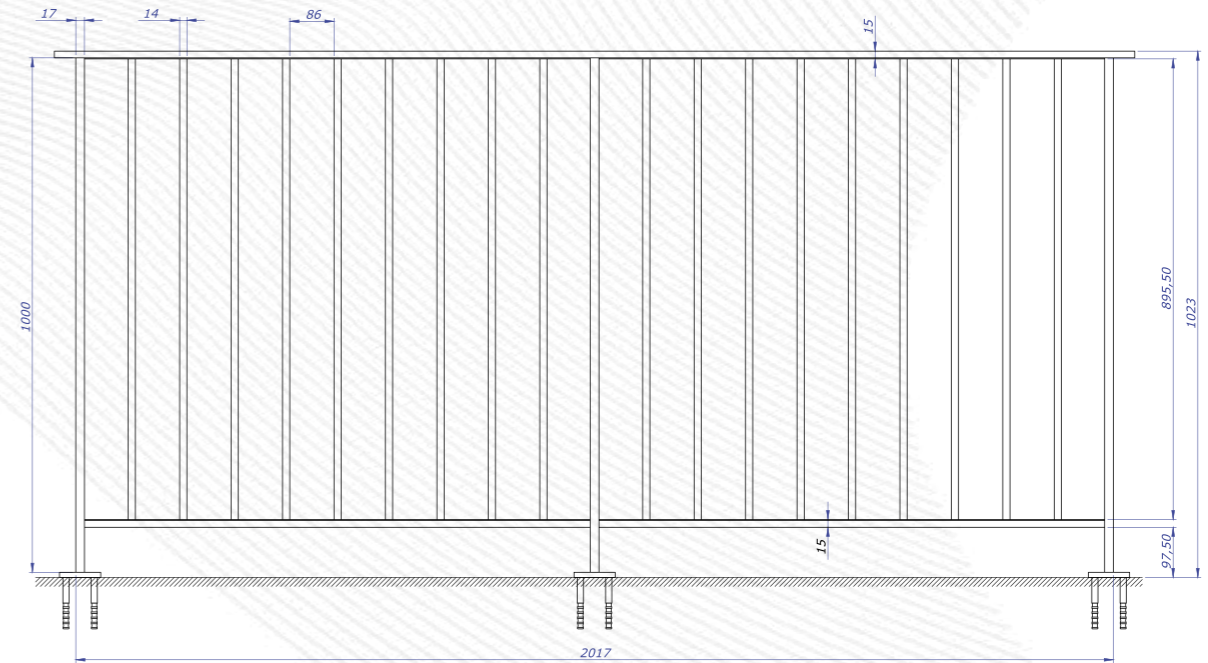


The Alumax Series lama struts are compatible with all upper railing profiles, horizontal barrier profiles and glazing profiles designed in the Akos 100-200-300 series. In addition, all accessories designed for the Akos 100 - 200 - 300 Series, allows for more architectural design using with the Alusmart 400 series lama struts.



akos

L100
SERIES

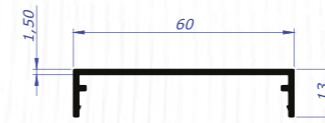


New approach to classic aluminium flat bar balustrade system!

The L100 System offers you an elegant design with unparalleled performance. L100 System is suitable for residential and commercial places with its modular and lightweight system.

L100 SERIES

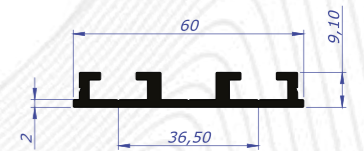
L100 SERIES



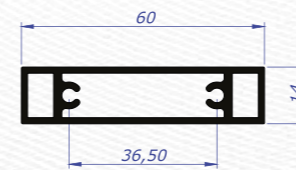
16362
0,354 Kg/M



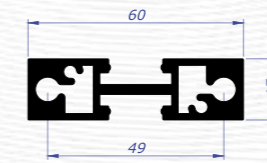
16327
1,163 Kg/M



16328
0,618 Kg/M



16329
0,766 Kg/M



16330
1,359 Kg/M



500-016
8 Metric Anchor



500-018
Inox Bolt M8x25



470-001
L100 Strut Top
Connector



470-002
L100 Strut Side
Connector



470-003
L100 Strut Ground
Connector



470-004
L100 Corner Top
Connector 90°



470-005
L100 Corner Top
Connector 45°

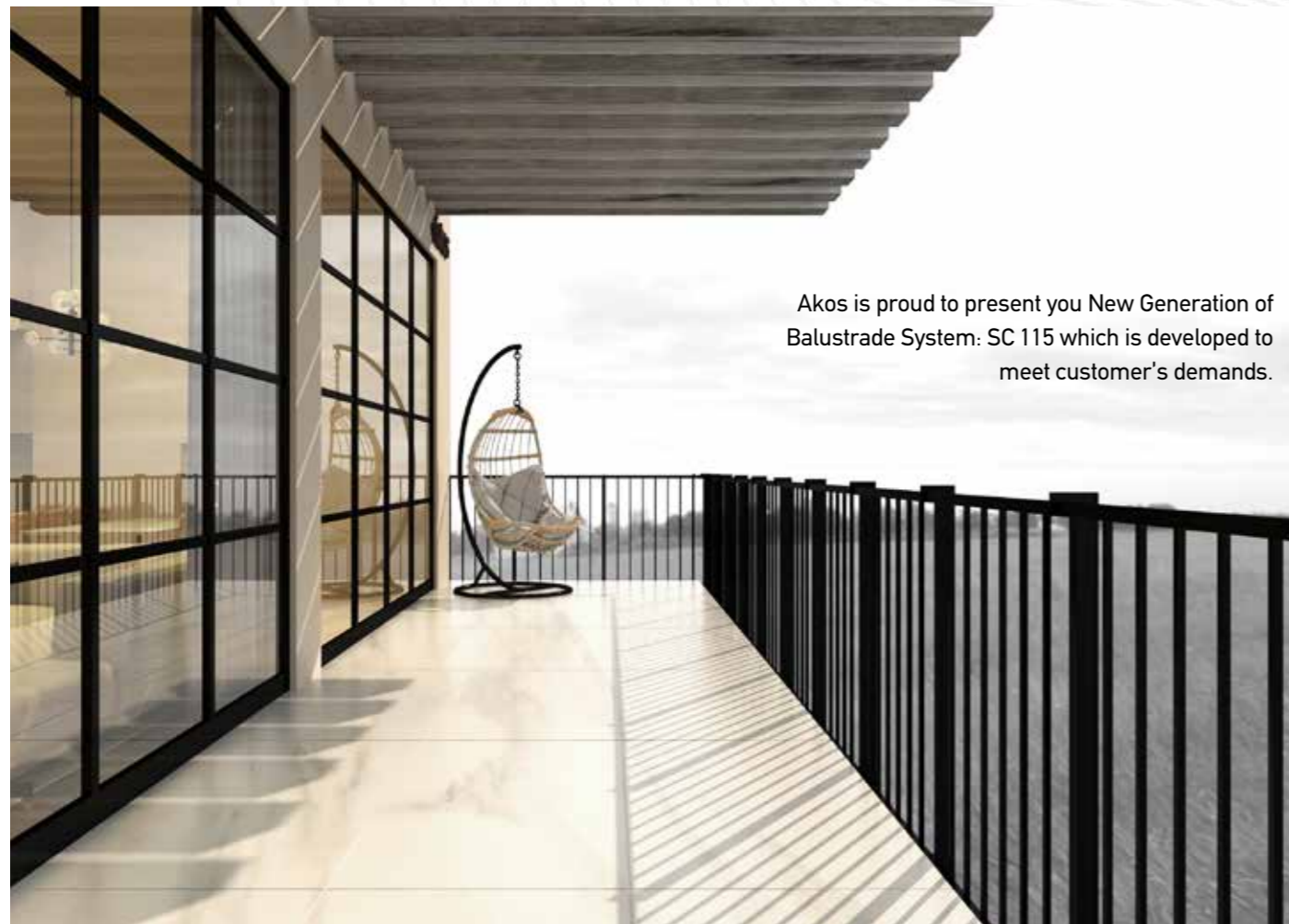


470-006
L100 Strut Top Joint



SC115

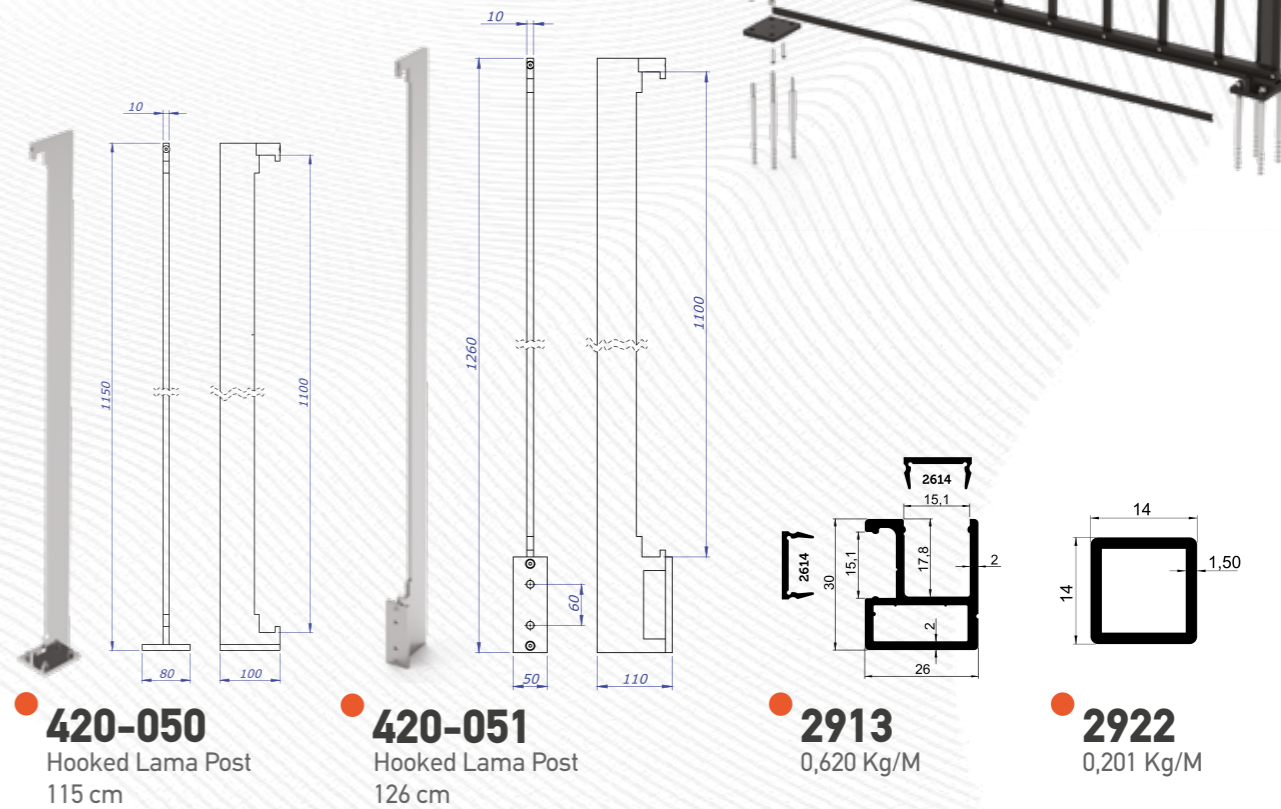
SERIES FLORENCE



Akos is proud to present you New Generation of Balustrade System: SC 115 which is developed to meet customer's demands.

SC115

SERIES FLORENCE



420-050
Hooked Lama Post
115 cm

420-051
Hooked Lama Post
126 cm

2913
0,620 Kg/M

2922
0,201 Kg/M

230-701
26X30 mm Square Plug

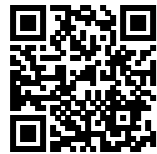
500-019
Bolt M8

500-013
8 Metric Anchor

500-014
8 Metric Anchor

SC115

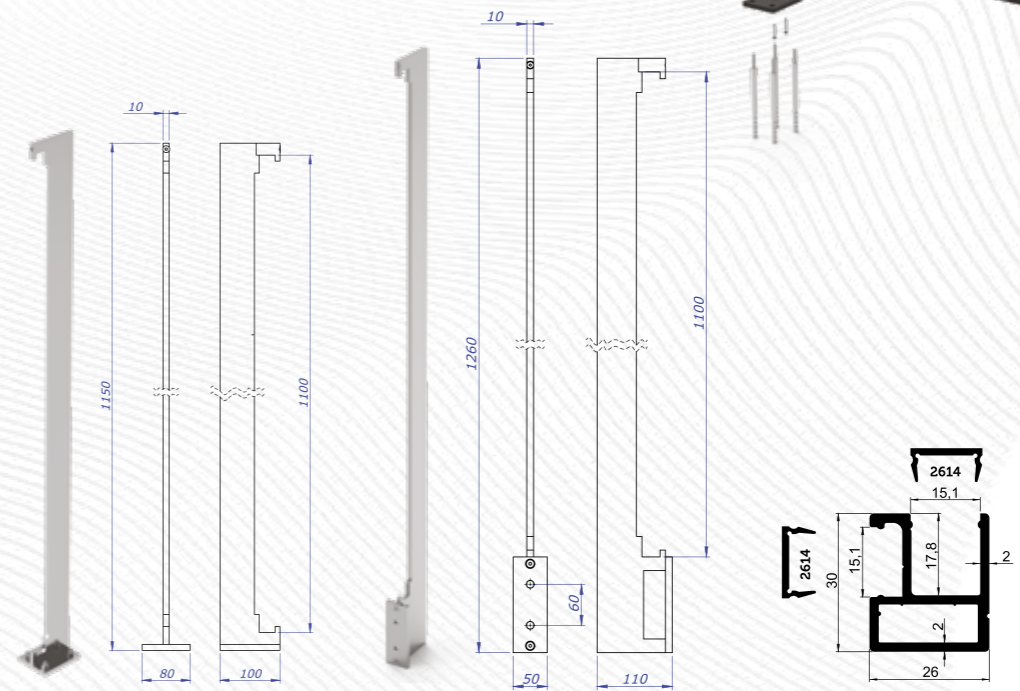
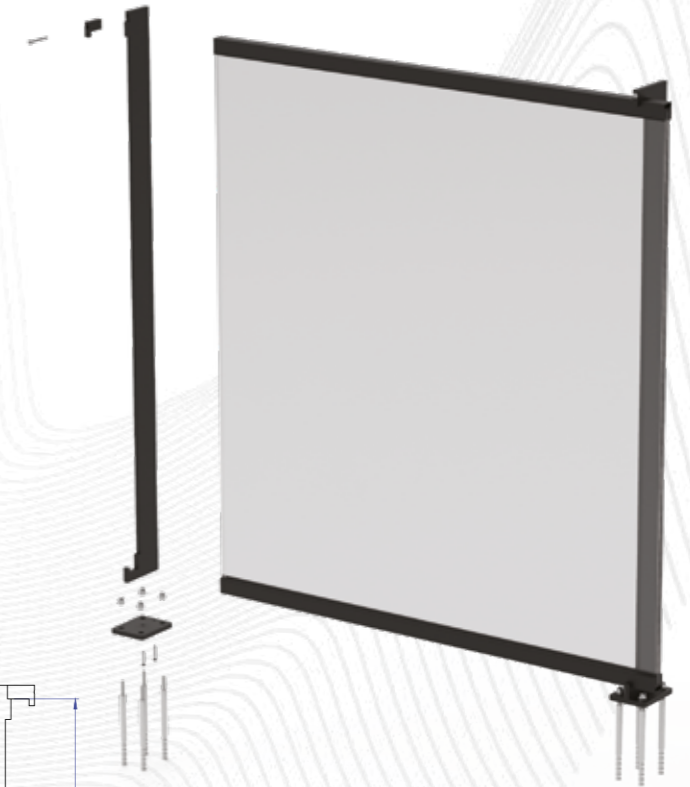
SERIES SIENA



- Reliable Quality
- Efficient Safety
- Easy Assembly
- Simple and Aesthetic Design
- Different Options

SC115

SERIES SIENA



420-050
Hooked Lama Post
115 cm

420-051
Hooked Lama Post
126 cm

2913
0,620 Kg/M

6+6=12 mm Glass

230-701
26X30 mm Square Plug

500-019
Bolt M8

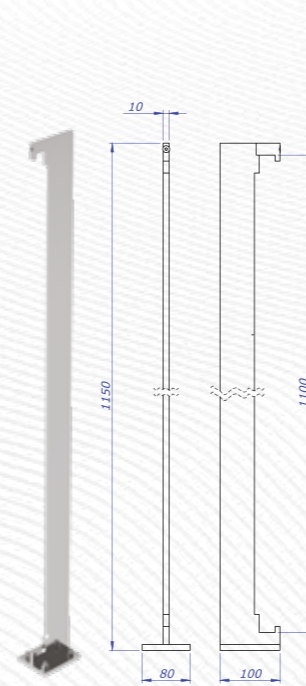
500-013
8 Metric Anchor
10 Cm

500-014
8 Metric Anchor
15 Cm

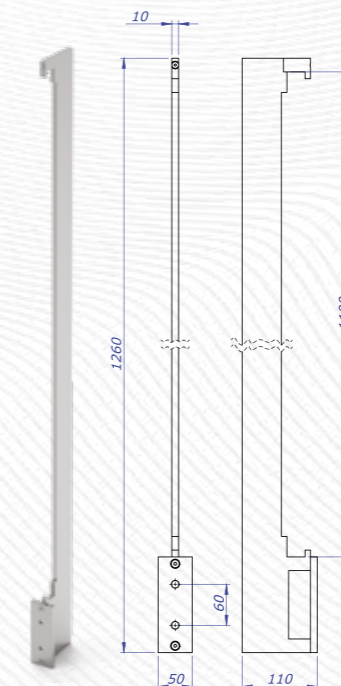
SC115
SERIES OSLO



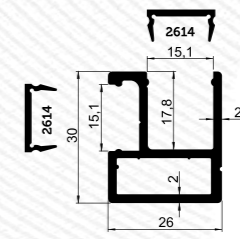
SC115
SERIES OSLO



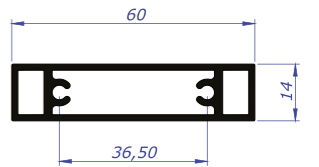
420-050
Hooked Lama Post
115 cm



420-051
Hooked Lama Post
126 cm



230-701
26X30 mm Square Plug



500-019
Bolt M8

2913
0,620 Kg/M

16329
0,766 Kg/M



500-013
8 Metric Anchor

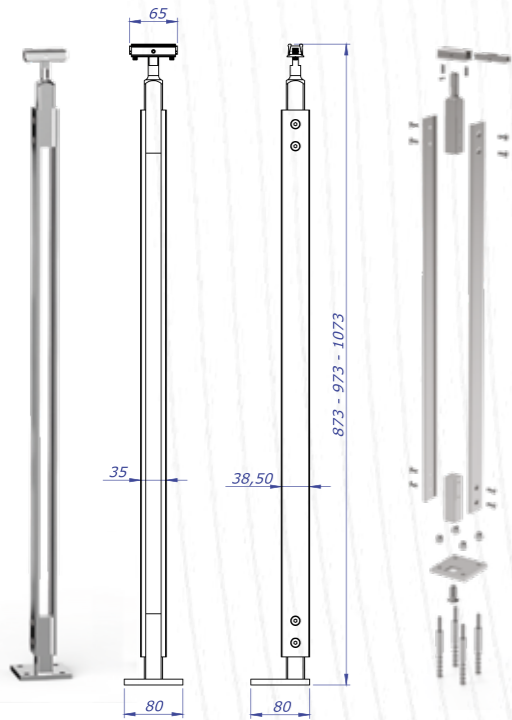


500-014
8 Metric Anchor

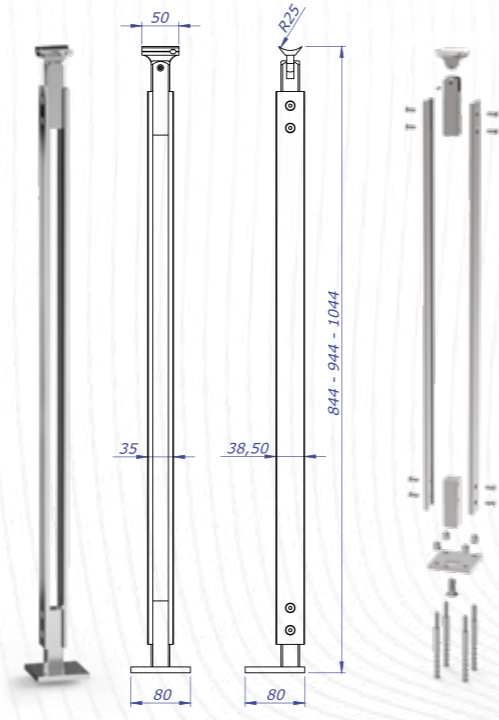
*Top in transparency.
Maximum of light and space!*



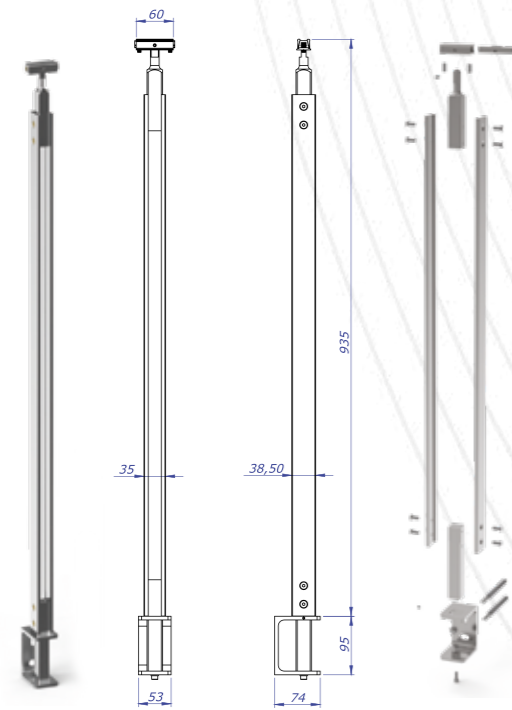
ALUMAX SERIES



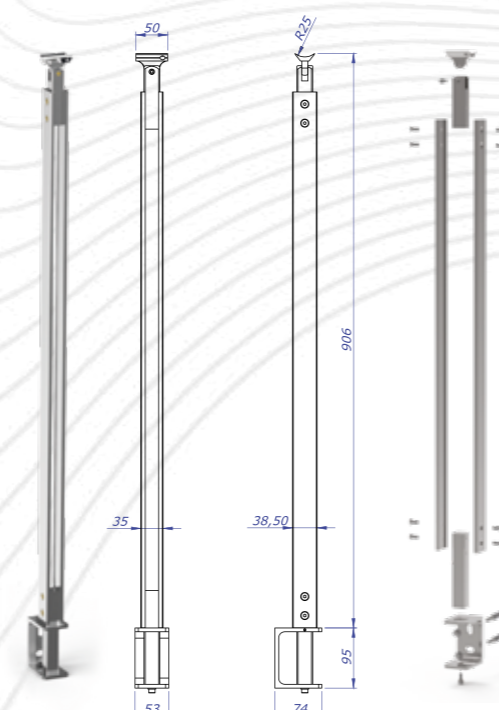
● **400-001** (85 cm)
400-002 (95 cm)
400-003 (105 cm)
 Lama Strut With Clips



● **400-004** (85 cm)
400-005 (95 cm)
400-006 (105 cm)
 Lama Strut With Semi Circular (Clips)

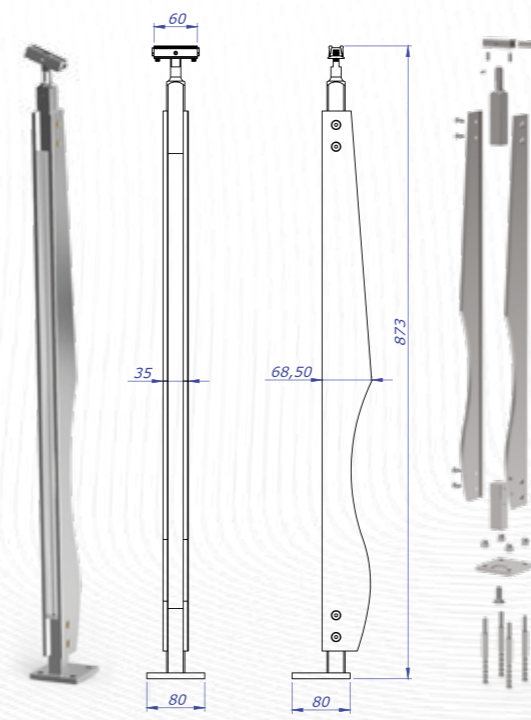


● **400-007**
 Lama Strut With Wall Connection (Clips)

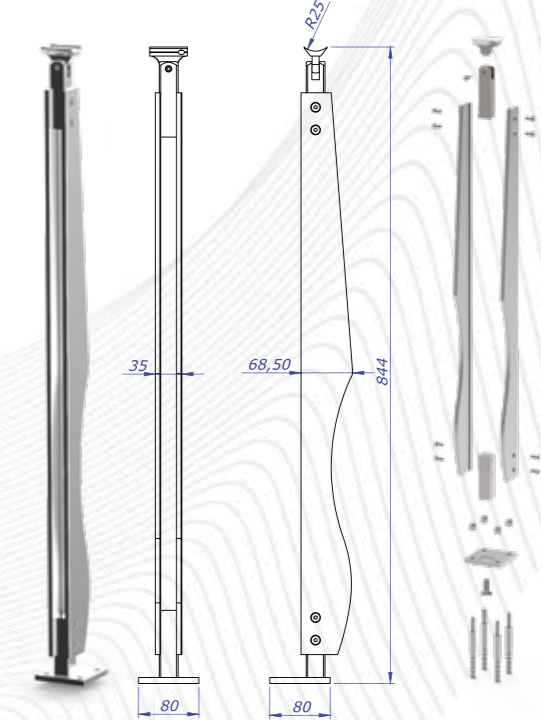


● **400-008**
 Lama Strut With "U" Wall Connection

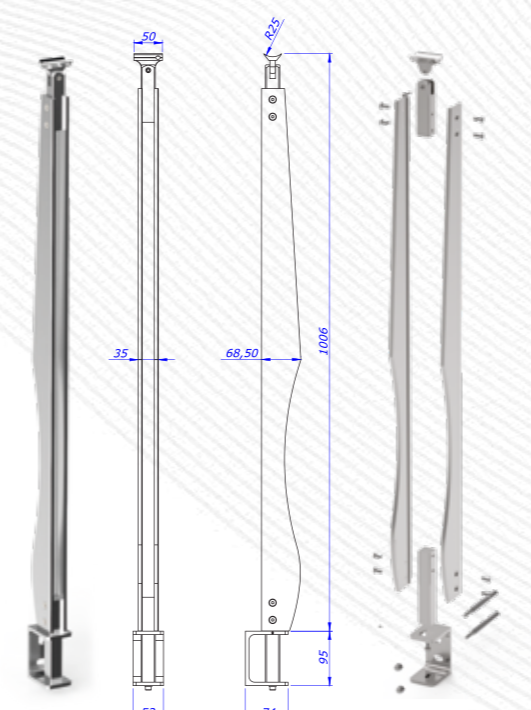
ALUMAX SERIES



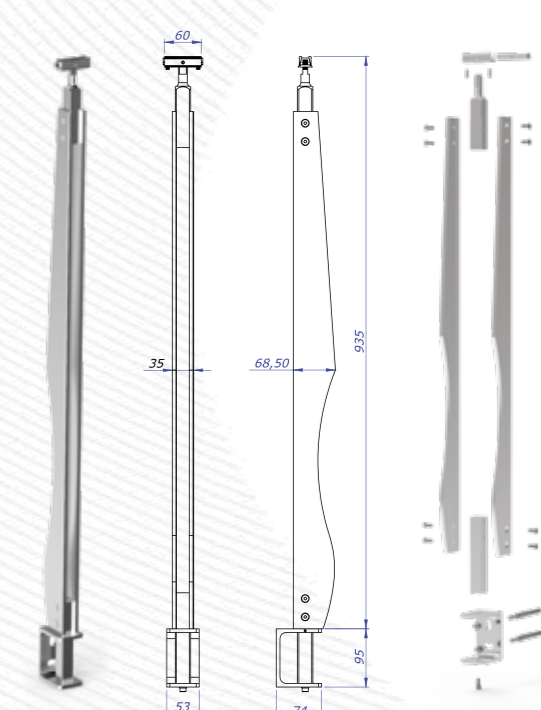
● **410-001** (85 cm)
410-002 (95 cm)
410-003 (105 cm)
 Patterned Lama Strut
 With (Clips)



● **410-004** (85 cm)
410-005 (95 cm)
410-006 (105 cm)
 Patterned Lama Strut With
 Semi Circular (Clips)



● **410-007**
 Patterned Lama Strut With "U"
 Wall Connection (Semi Circular + Clips)

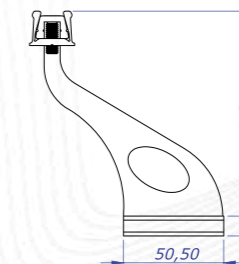


● **410-008**
 Patterned Lama Strut With Wall Connection
 (Semi Circular + Clips)

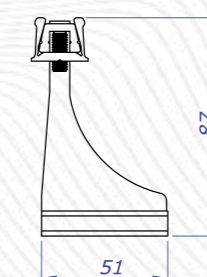
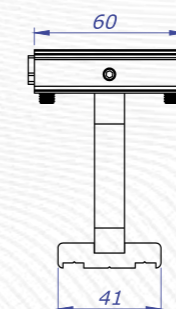


ALUMAX SERIES

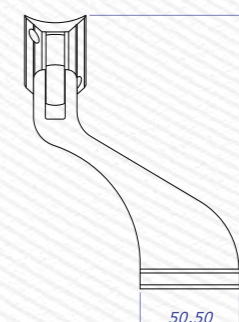
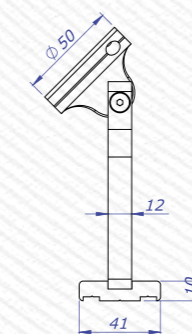
Lama Strut Railing System Application Details



460-101
Lama Strut Circular Set



460-102
Lama Strut Circular Set



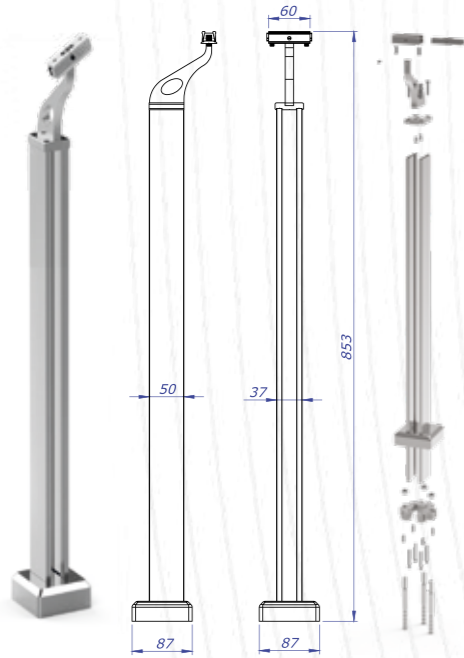
460-103
Lama Strut Circular Set

*The perfect solution for
attractive and slim lines!*

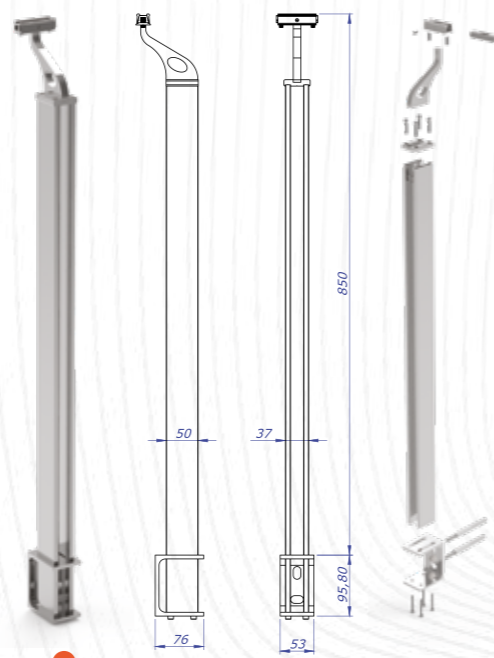


ALUMAX SERIES

Lama Strut Railing System Application Details



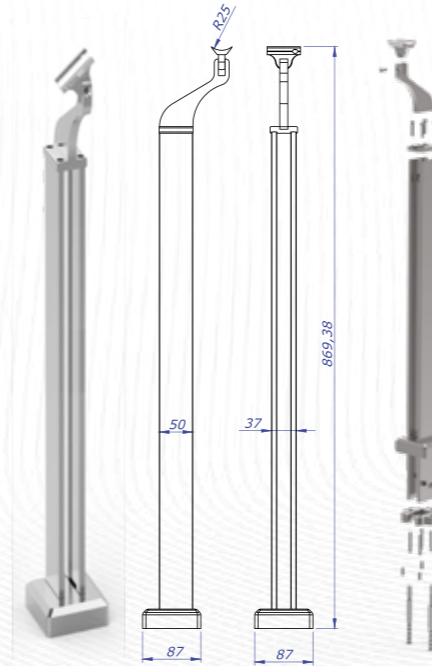
● **440-001** (85 cm)
440-002 (95 cm)
440-003 (105 cm)
Lama Strut With Clips



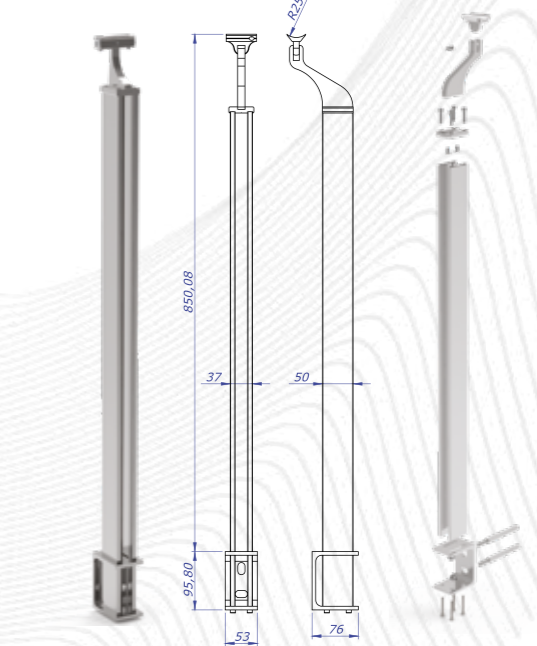
● **440-004** (85 cm)
440-005 (95 cm)
440-006 (105 cm)
Lama Strut With Clips and U Wall Connection

ALUMAX SERIES

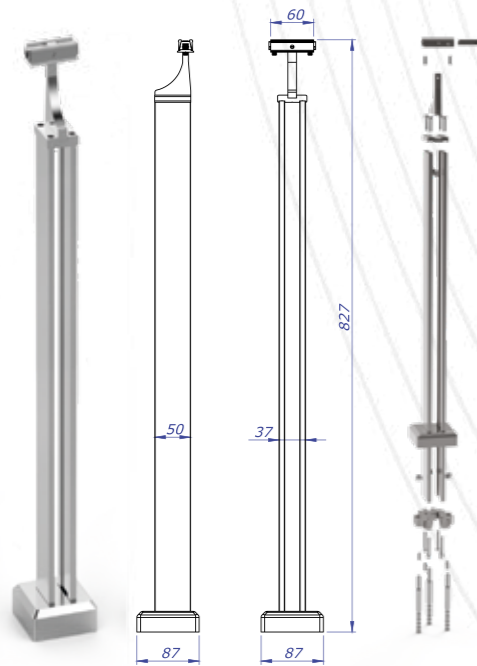
Lama Strut Railing System Application Details



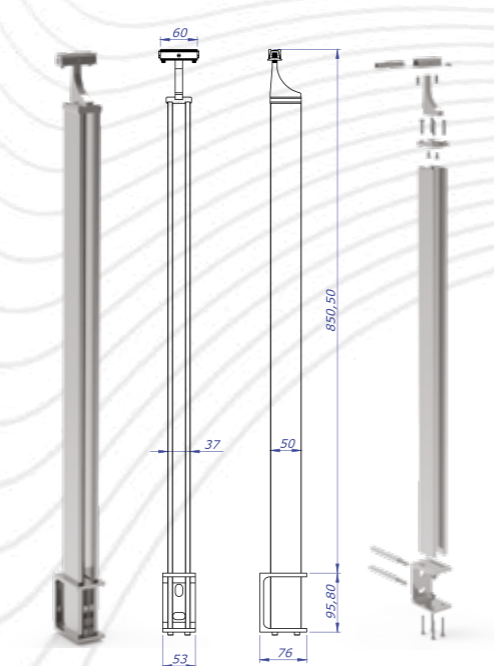
● **440-020** (85 cm)
440-021 (95 cm)
440-022 (105 cm)
Lama Strut With Clips



● **440-023** (85 cm)
440-024 (95 cm)
440-025 (105 cm)
Lama Strut With Clips and U Wall Connection



● **440-010** (85 cm)
440-011 (95 cm)
440-012 (105 cm)
Lama Strut With Clips



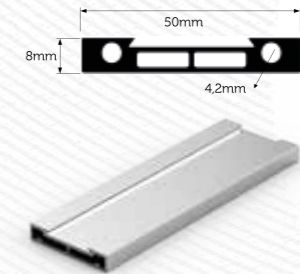
● **440-013** (85 cm)
440-014 (95 cm)
440-015 (105 cm)
Lama Strut With Clips and U Wall Connection



● **460-104**
Lama Strut Flange



● **460-105**
Lama Strut U Connector



● **6058**
Lama Strut Profile



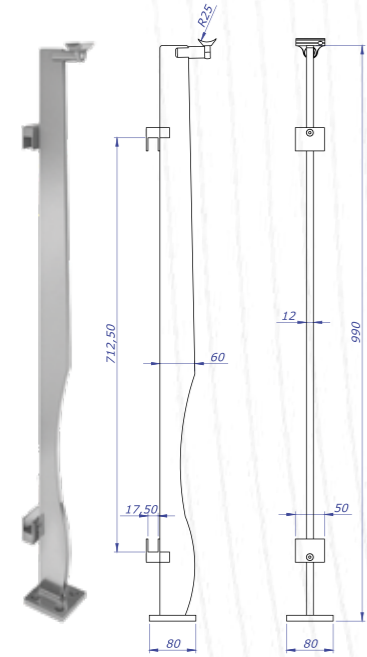
● **500-020**
M5x40 mm Imbus



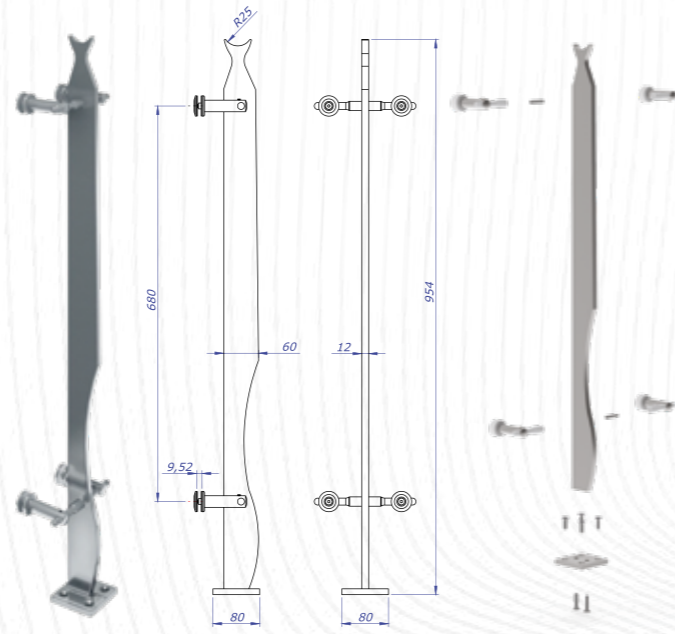
*An ultra-modern line
offers a fantastic look!*

ALUMAX SERIES

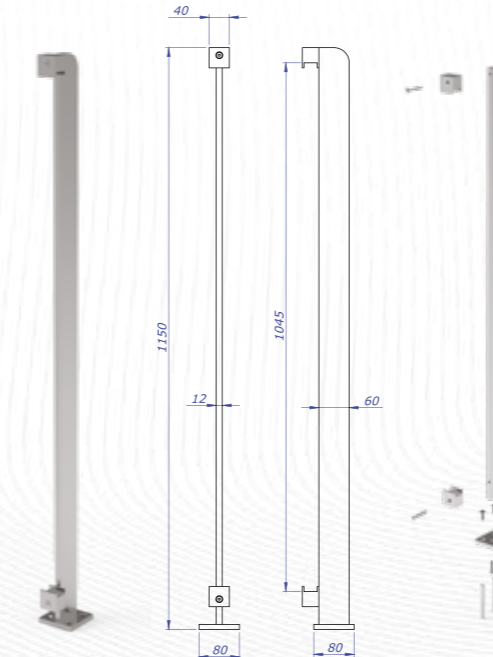
Lama Strut Railing System Application Details



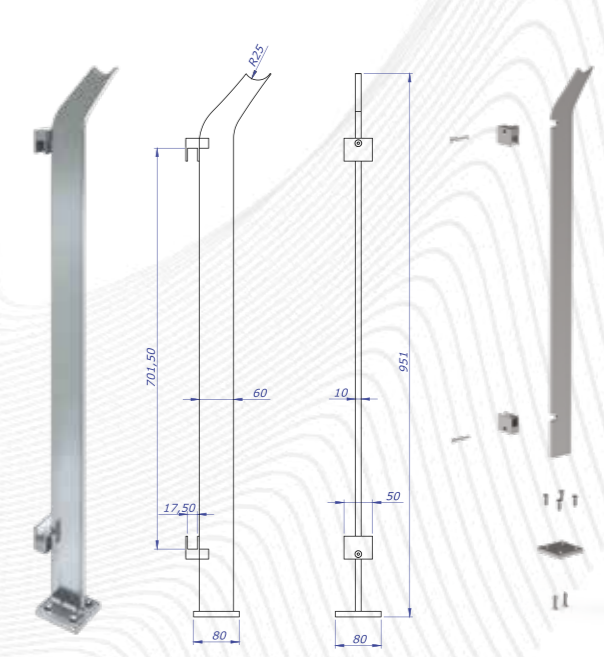
410-010



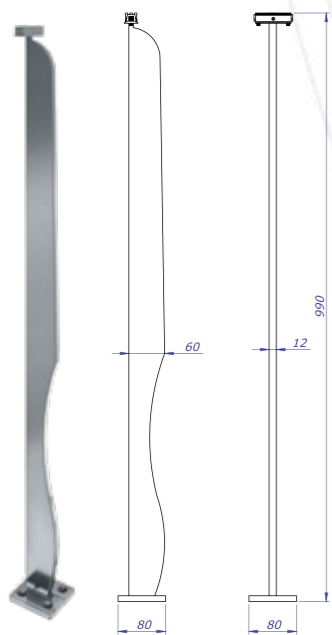
410-020



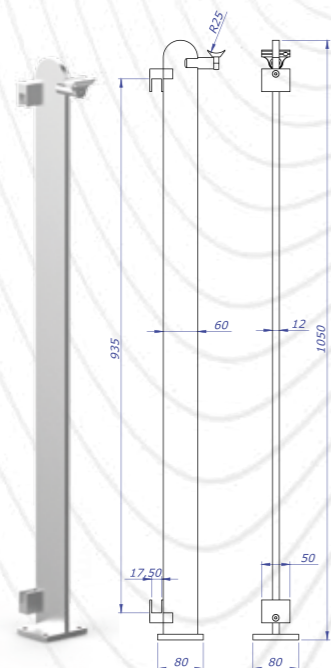
420-024



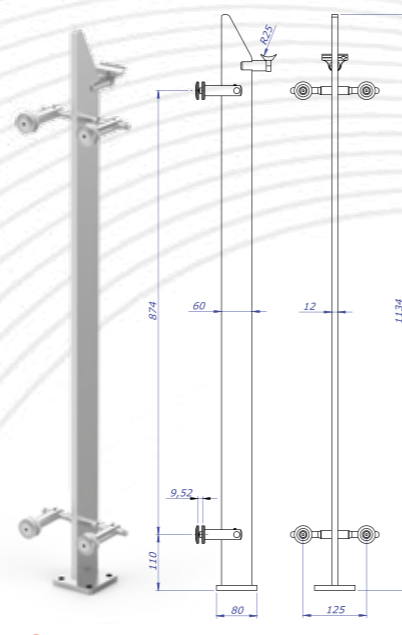
420-030



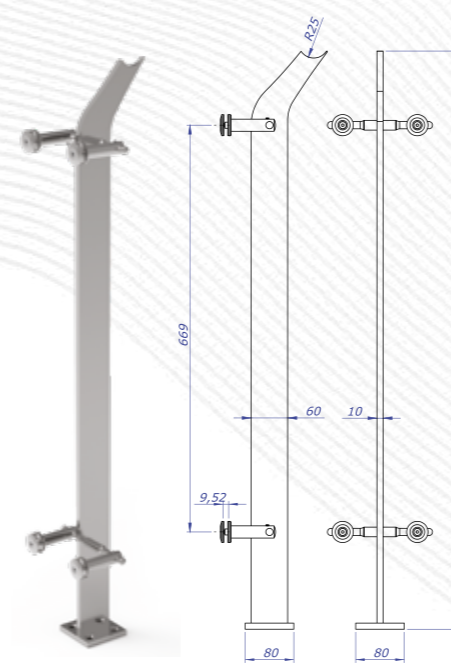
410-030



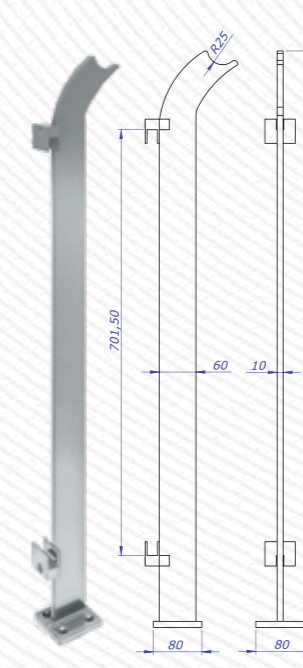
420-020



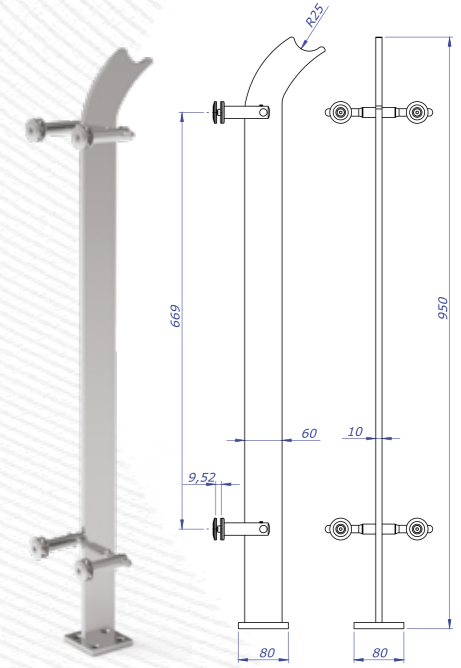
420-021



420-032



420-040



420-042

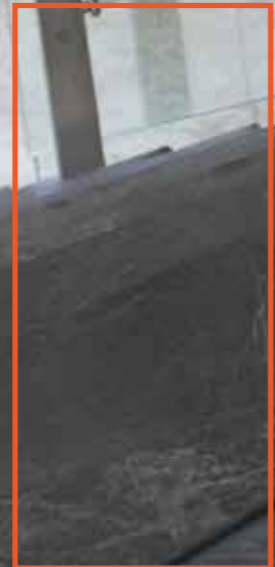
ALUMAX SERIES

Lama Strut Railing System Application Details



*Full transparency is now
even more possible!*

akos



Design for indoor or outdoor installations.

ALUMAX SERIES

Lama Strut Railing System Application Details



100-916
Both Glass Spider



100-917
Single Glass Spider



450-300
Extra Lama Step



450-301
Compression Clip



450-302
Cover For Single Lama



450-901
Both Glass Spider



450-902
Single Glass Spider



450-903
Lama Type Horizontal
Glass Holder



450-801
Round Pipe Holder
for 16mm



450-802
Square Pipe Holder
for 14X14



450-803
Elliptic Pipe Holder



ALUMAX SERIES

Lama Strut Railing System Application Details



150-302
50' Ground Flange
Externally Screwed



150-303
50' Wall Flange
(Double Hole)



150-304
50' Ground Flange
Cover



150-305
50' Adjustable Wall
Flange



150-501
50' Smart Sphere
Elbow



150-502
50' Smart Sphere Elbow
(ECO)



150-503
50' Inflate Bend 90°



150-504
50' Inflate Bend 45°



150-601
50' Smart Pipe
Connector



150-603
50' Ring (3 cm)



150-701
50' Plug



130-501
30' Sphere Elbow



130-103
30x30 Semi Circular
(External)



130-104
30x40 Semi Circular
(External)



130-105
30x50 Semi Circular
(External)



130-703
30' Plug (Externally)

ALUMAX SERIES

Lama Strut Railing System Application Details



116-701
16' Plug



116-705
16' Plug (Externaly)



116-802
16' Pipe Double
Handle Set



116-301
16' Ground Flange
Externaly



116-501
16' Sphere Elbow



116-502
16' Elbow 90°



116-503
16' Elbow 45°



116-305
16' Wall Flange



116-302
16x30 Slotted Wall
Flange



116-303
16x40 Slotted Wall
Flange



116-304
16x50 Slotted Wall Flange



116-809
16' Pipe Handle



116-601
16' Ring



116-602
16' Intermediate
Connector



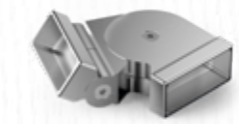
116-603
16' Single Decorated
Sphere

ALUMAX SERIES

Lama Strut Railing System Application Details



260-501
60X25 mm Square Elbow
With Horizontal Moving



260-502
60X25 mm Square Elbow
With One Side Moving



260-503
60X25 mm Square Elbow
With Vertical Moving



260-504
60X25 mm Square
Elbow With Side
Moving



260-601
60X25 mm Ring



260-702
60X25 mm Square Plug



260-512
60X25 mm Square Elbow
90°(Without Channel)



260-513
60X25 mm Square Elbow
45°(Without Channel)



260-301
60X25 mm Wall Flange



260-302
60X25 mm Vertical Wall
Connection



230-501
26X30 mm Out Side
Corner For Glass 90°



230-502
26X30 mm In Side
Corner For Glass 90°



230-503
26X30 mm Out Side
Corner For Glass 45°



230-504
26X30 mm In Side
Corner For Glass 45°



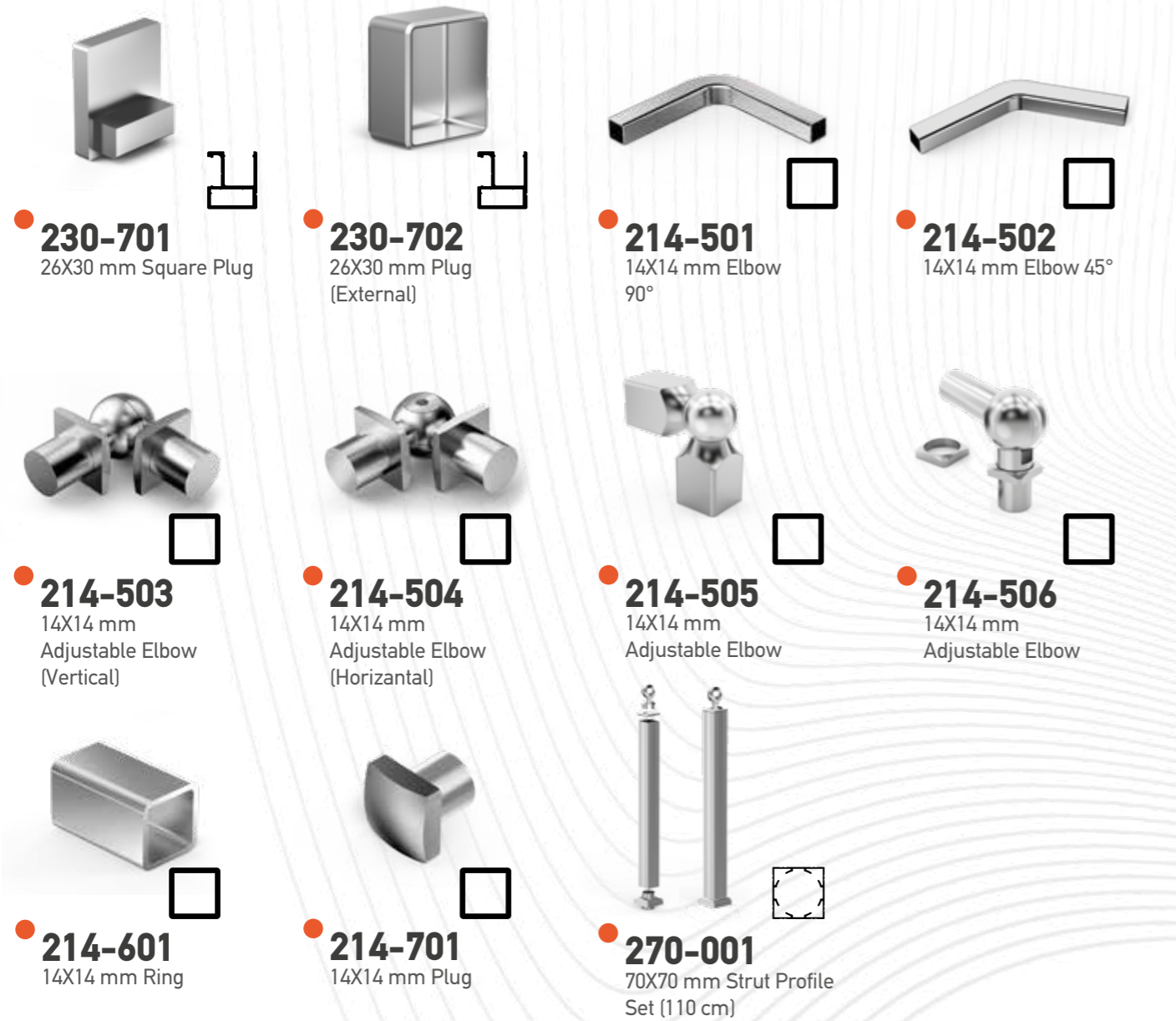
230-505
26X30 mm Square
Profile Corner



230-301
26X30 mm Wall
Flange

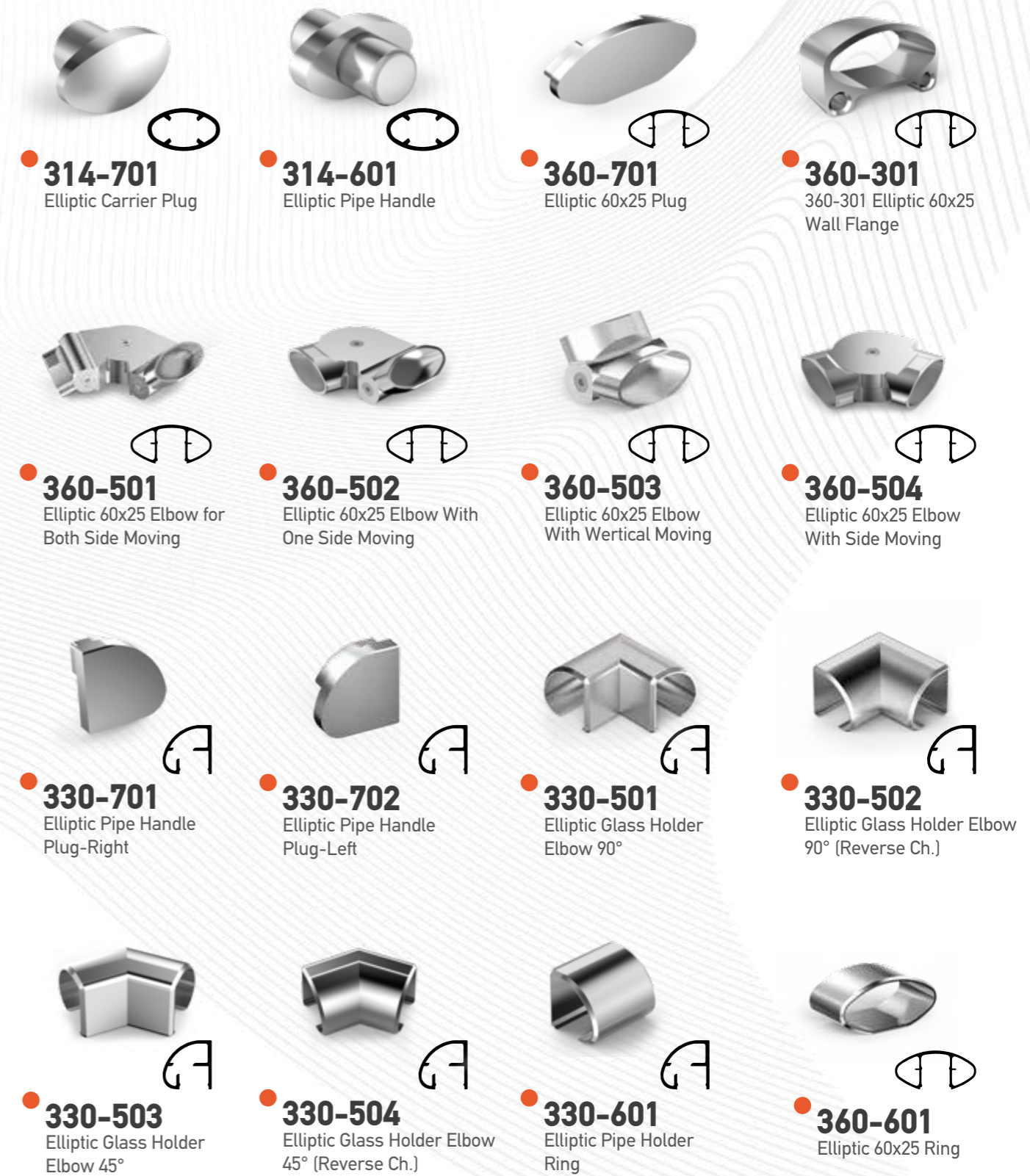
ALUMAX SERIES

Lama Strut Railing System Application Details



ALUMAX SERIES

Lama Strut Railing System Application Details



ALUMAX SERIES

Lama Strut Railing System Application Details



100-001
Pistol for 410 gr



100-002
410 gr Epoxy Adhesive



100-035
High Tack Adhesive



500-017
15 cm Screw + Dowel



500-013
8 Metric Anchor



500-014
8 Metric Anchor



500-015
8 Metric Anchor



500-016
8 Metric Anchor



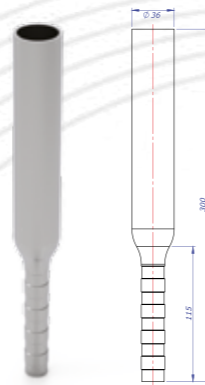
500-018
Inox Bolt M8x25



500-019
Bolt M8



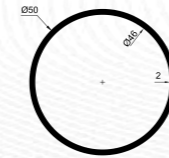
100-006
Granit Cutter Tool



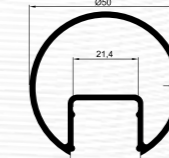
800-016
Anchor-30 cm

ALUMAX SERIES

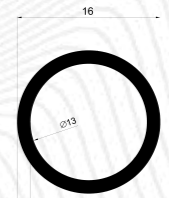
Lama Strut Railing System Application Details



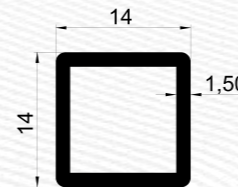
2003
0,815 Kg/M



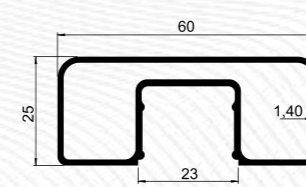
2919
0,980 Kg/M



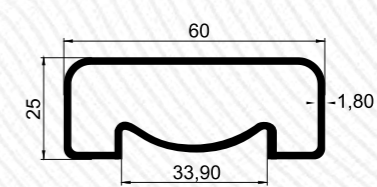
5
0,184 Kg/M



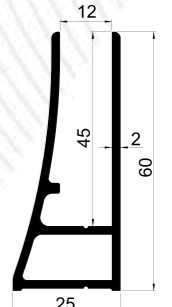
2922
0,201 Kg/M



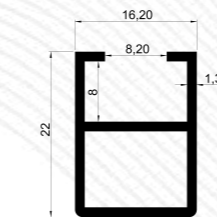
2907
0,775 Kg/M



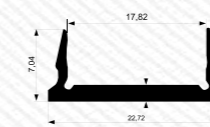
2600
1,002 Kg/M



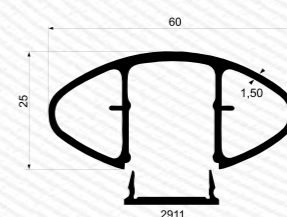
2917
0,892 Kg/M



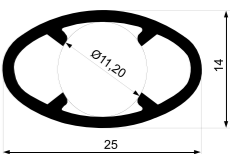
2705
0,267 Kg/M



2911
0,119 Kg/Mt



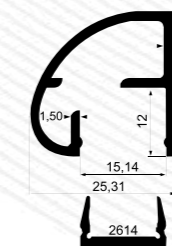
08-078
0,699 Kg/Mt



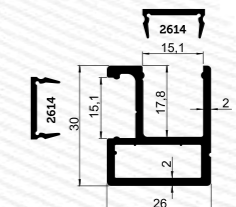
08-082
0,249 Kg/Mt



2614
0,088 Kg/Mt



08-083
0,382 Kg/Mt



2913
0,620 Kg/M

High-quality aluminum resistant to variable weather conditions Akos Fence Systems allows you to achieve design integrity according to the atmosphere of your spaces with white, cream, silver, gray, bronze, wood-like aluminum profile with or without LED Lighting options.

It can be cut to the desired length according to the requirements of your space. Fence Systems that can be applied leaves the choice entirely to you.

Offering design options suitable for different architectural structures, innovative and modular Akos Fence Systems, easy to install stands out with its feature.

ALUFENCE 600 SERIES



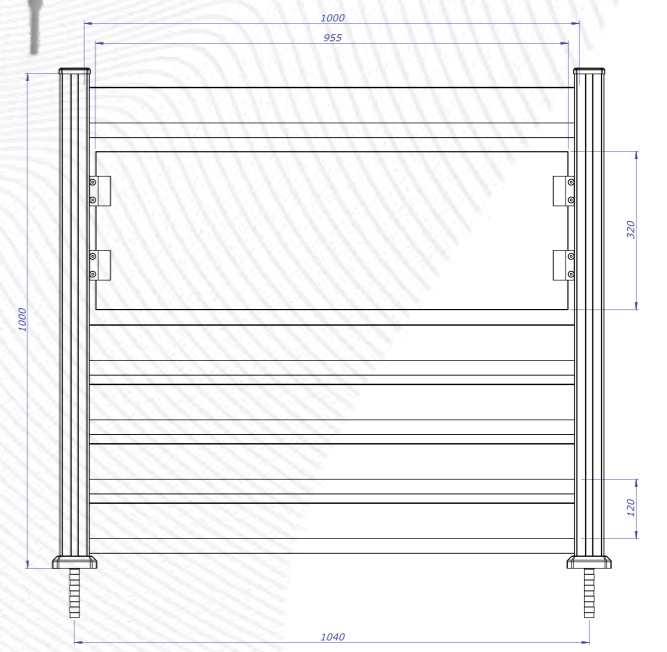
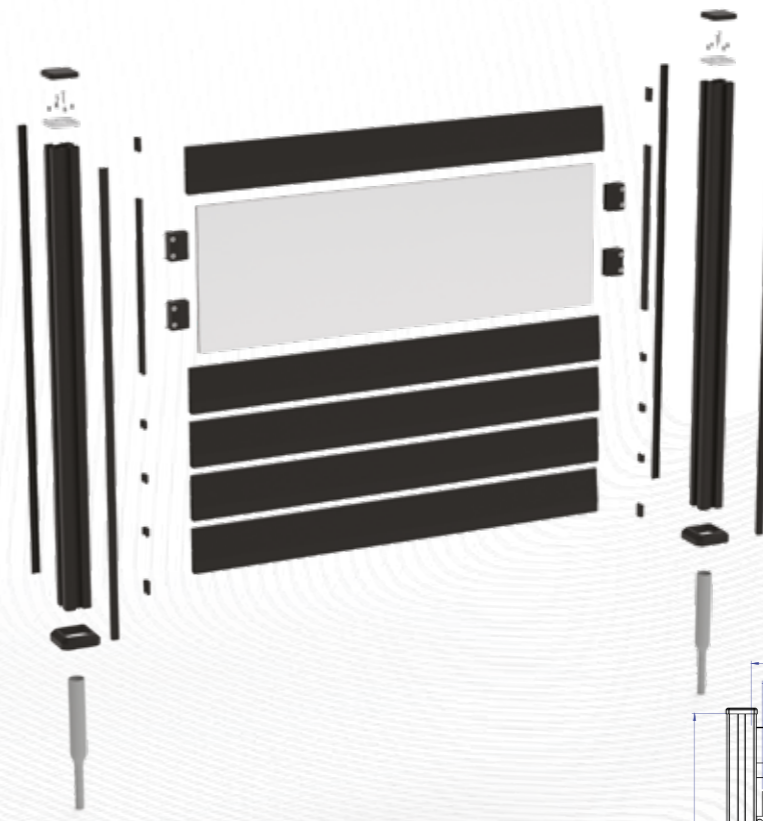
ALUFENCE
Arvada





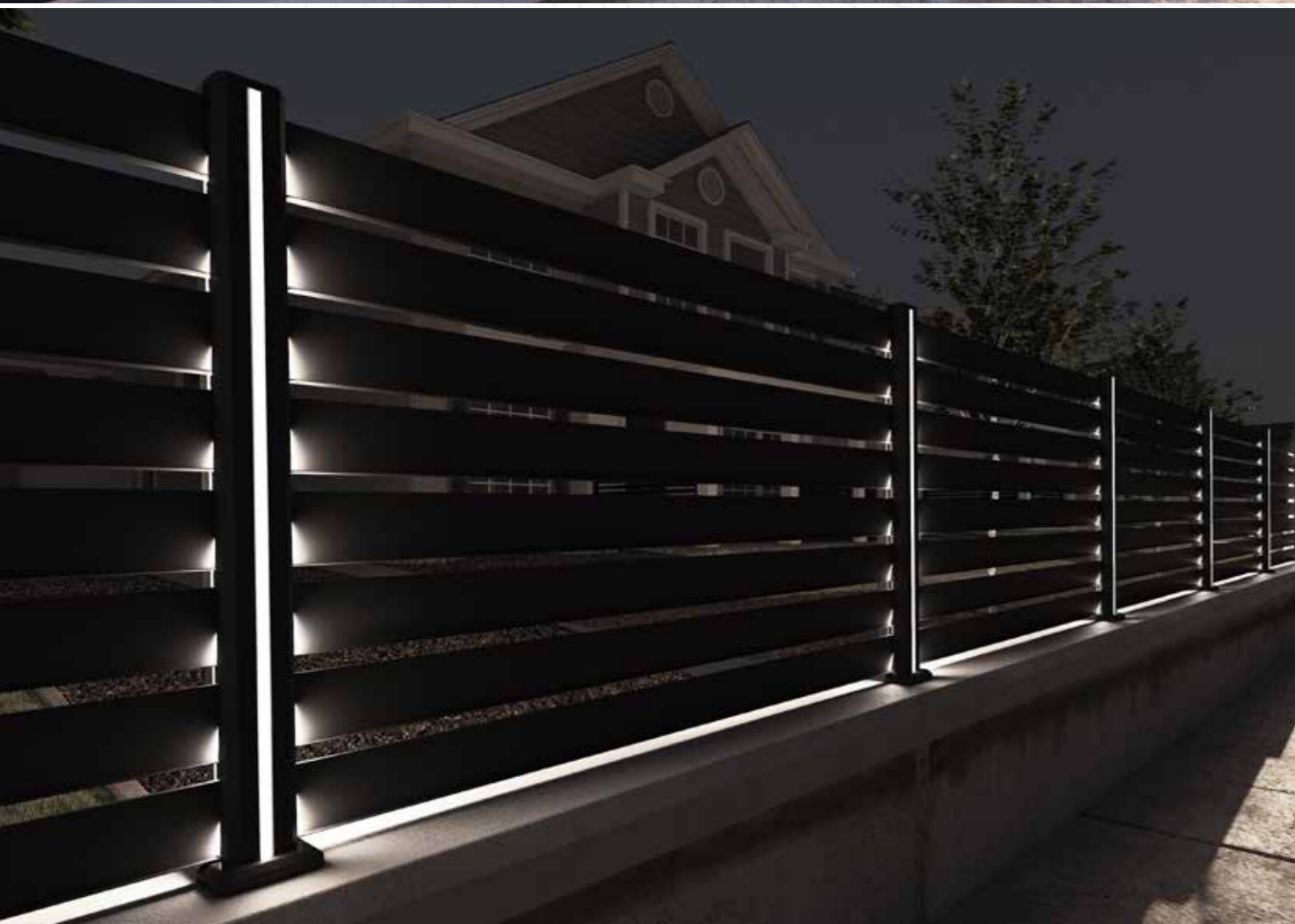
ALUFENCE

SERIES ARVADA



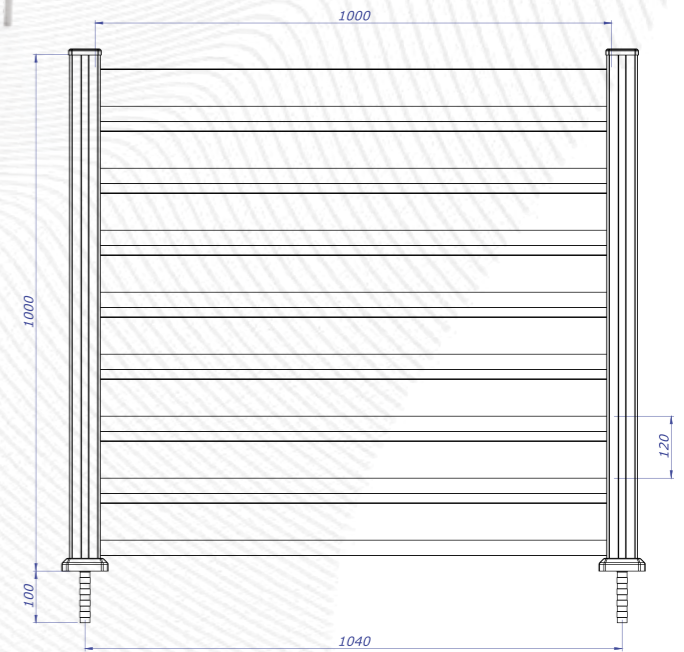
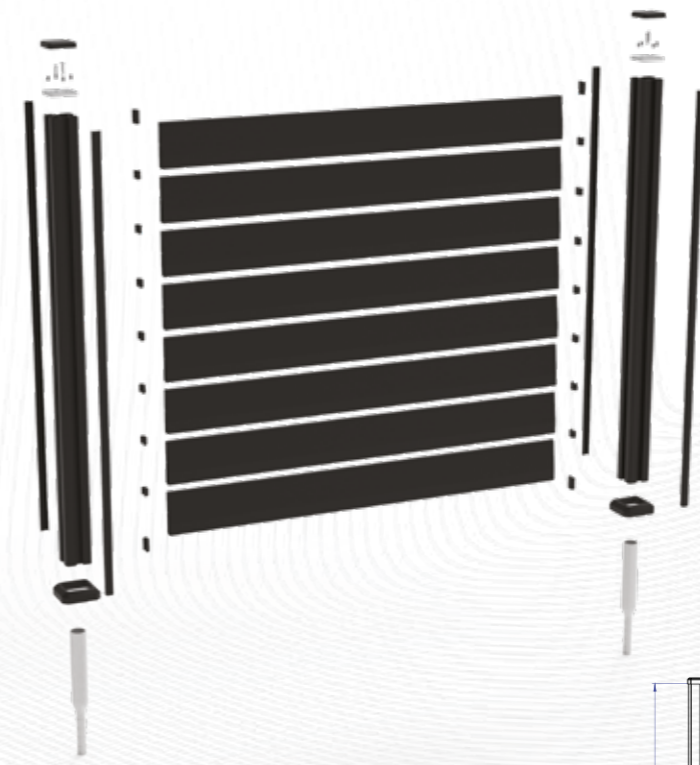
ALUFENCE
Nevada





ALUFENCE

SERIES NEVADA



ALUFENCE
Florida

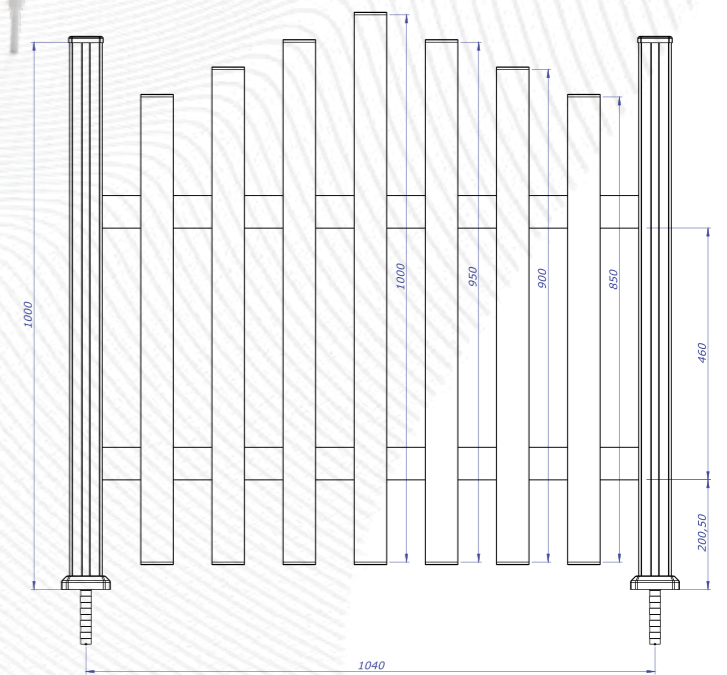
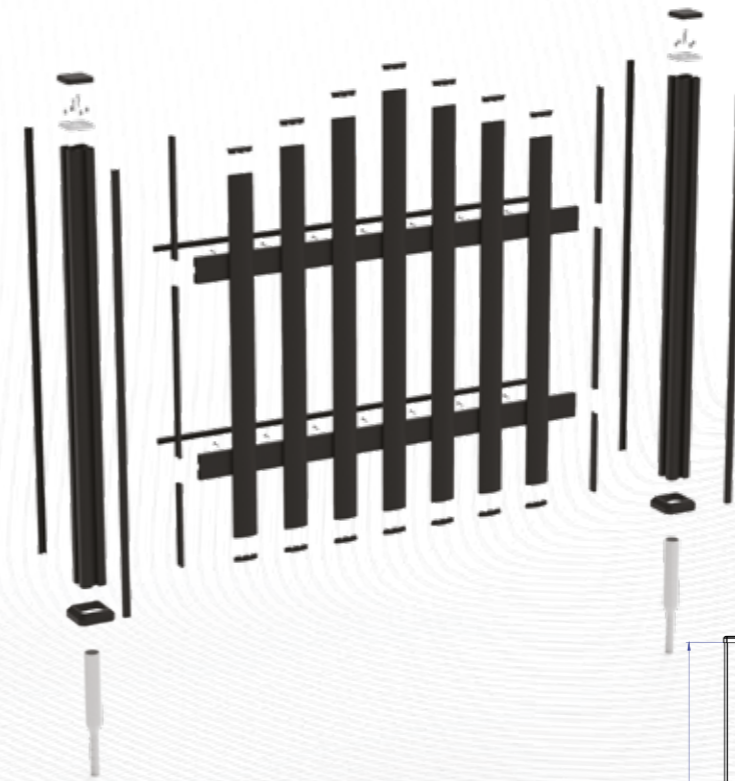




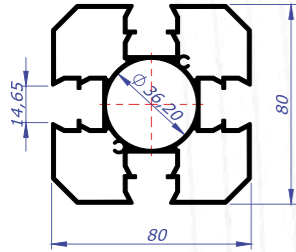
akos

ALUFENCE

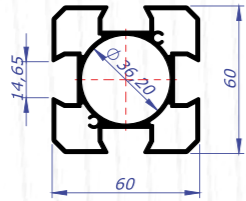
SERIES FLORIDA



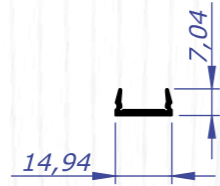
ALUFENCE SERIES



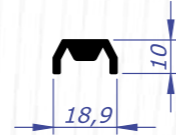
6211
Fence Post Profile
80*80-6 Meters



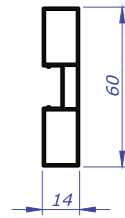
6205
Fence Post Profile
60*60-6 Meters



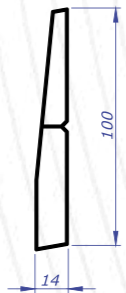
2614
14,9x7 Profile Cover
6 Meters



6204
Fence Profile Cover
6 Meters



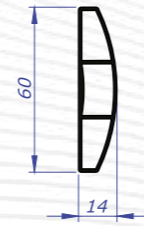
6206
Elliptic 60x25 Plug



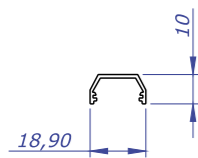
6207
Partition Siding Fence
Profile-6 Meters



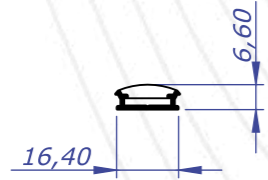
6208
Z Shape Partition Fence
Profile-6 Meters



6210
360-301 Elliptic 60x25
Wall Flange



800-010
Polycarbonate Cover
6 Meters



800-011
Led Lighting Profile
6 Meters



200-904
Glass Holder for
Square



100-036
Led Strip Light



100-035
High Tack
Adhesive

ALUFENCE SERIES



800-015
Post Ground Flange
80*80



800-014
Post Ground
Flange 60*60



800-013
Post Caps 80*80



800-012
Post Caps 60*60



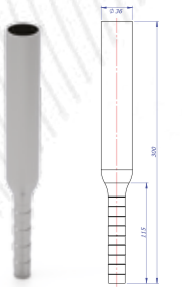
800-009
Fence Profile Top
Plate 80*80



800-006
Fence Profile Top
Plate 60*60



800-017
Elliptic 60x25 Plug



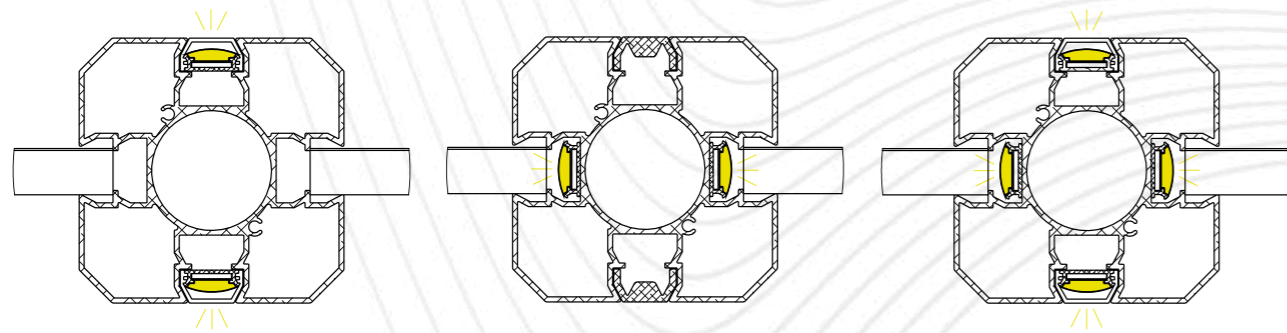
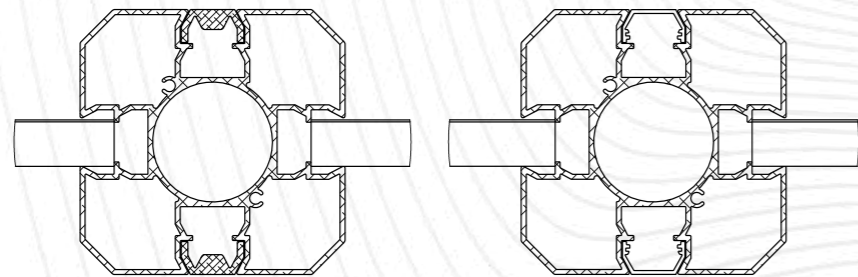
800-016
Fence Post Anchor
Ø36

ALUFENCE SERIES

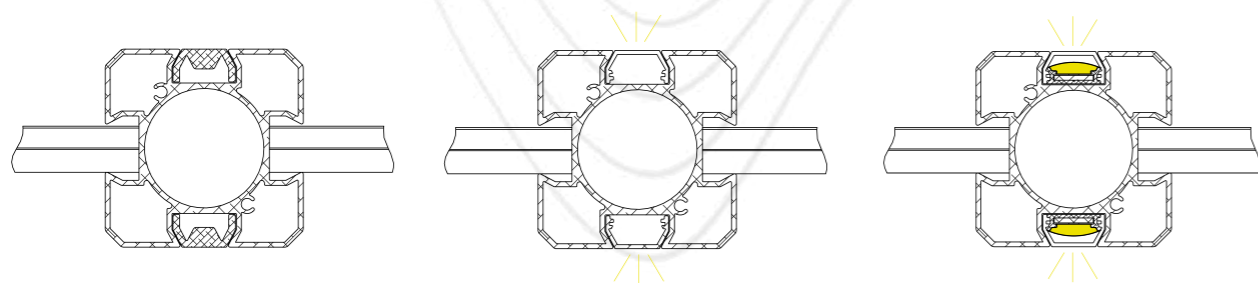
Post Usage Types of Alufence System



● 6211-Fence Post
Profile 80*80



● 6205-Fence Post
Profile 60*60



ALUFENCE SERIES



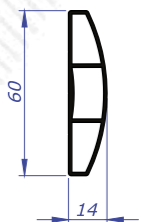
Color your world with Alufence Systems!



● 6207
Partition Siding Fence
Profile-6 Meters



● 6208
Z Shape Partition Fence
Profile-6 Meters



● 6210
360-301 Elliptic 60x25
Wall Flange

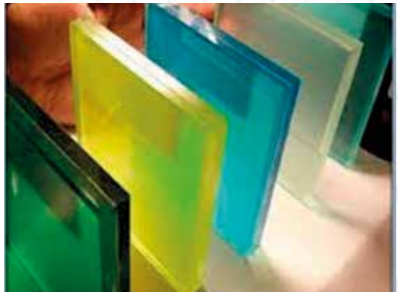




AKOS GLASS

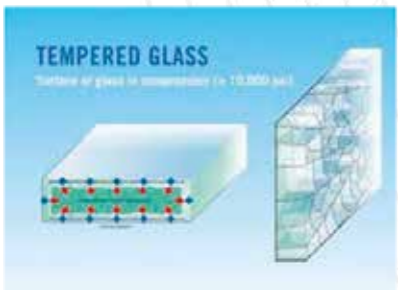


Use of glass panels in AKOS installations A wide range of glass panels can be integrated with AKOS system, in various thicknesses and characteristics according to specifications. There are two main categories according to EN12543 and EN12600 specified by the European Union concerning the thermal treatment of the glass. More specifically, EN12543 specifies the use of tempered and laminated glass with the insert of PVB membranes.



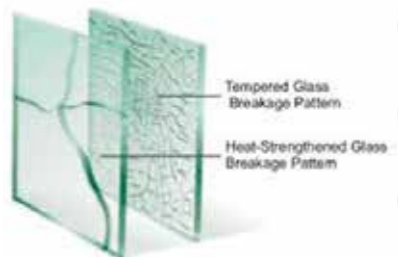
This type of glass panels has the following qualities:

a) In case of breakage, they do not break in large and sharp pieces.



Laminated Glass TRIPLEX glass with PVB membrane

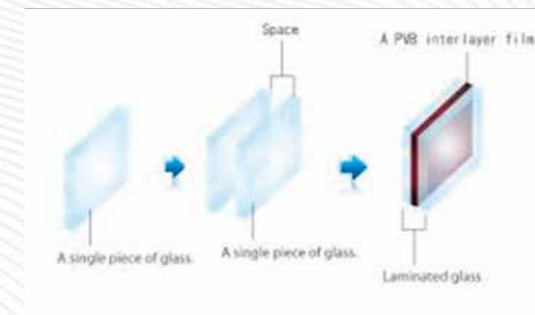
a) Even in case of such breakage, the broken glass pieces remain attached on the PVB surface without putting in danger the safety of nearby persons. The fabrication of these tempered and laminated glass panels is being carried out by thermal treatment of ordinary glass which is afterwards sandwiched together with the PVB membranes to give the various grades and thickness of laminated glass panels.



AKOS GLASS



(PVB), placed in layers between the glass. Rollers press the layers together to expel any air pockets.



Toughened Glass Thermally Toughened glass



In the following pictures show the different types of breakage:

a) Tempered and laminated glass, and, b) Ordinary tempered glass. PVB films the common characteristics amongst the two categories mentioned previously, are the use of the PVB interlayer films.

AKOS GLASS



The glass is then heated to 70o C in a pressurized oil bath to permanently bond all layers together. Typically, the thickness of each PVB film is 0,38 mm, additional layers of glass and PVB film increase the strength of the material. Applying two interlayers of film, the thickness becomes 0,78 mm, with three at 1,14 mm and so on. Apart from the different thickness of glass and PVB, a wide range of colored PVB, for example grey, blue green or yellow is available, offering a particular esthetique to modern buildings.

According to European Norms (EN 12600) the minimum number of films required is two, however AKOS recommends the use of glass with four PVB films for maximal security. Even in the event that the glass breaks, the two layers are held together by the PVB, allowing the sheet as a whole to bend and absorb the impact. This characteristic is especially important for places where safety or security are paramount. Types of security glasses the most common type Triplex glass consists of the combination of Heat Strengthened Glass – PVB – Heat Strengthened Glass. The result of a Heat Strengthened glass panel will resist two times stronger than ordinary glass, where a unified static force has been applied (EN 12543), to one of the same thickness. The second type of Triplex glass, and the one which meets the safety criteria is Thermally Toughened Glass, and its combination with PVB, known as toughened glass. Toughened Glass is manufactured by subjecting the finished glass size to a heating and cooling treatment which set up high compressive stresses at the surface, and balancing tensile stresses in the center of the glass, thus increasing its strength. The result is a glass that is 5 times stronger than ordinary glass. Heat strengthened glass is produced by a similar process to toughened glass, however, the strength developed is about half that of toughened glass, and its breakage resembles that of annealed glass. AKOS strongly recommends the use of Heat Strengthened Glass with the installation of any type of AKOS system.

• NOTE: Also, AKOS can do some mechanical operations on the glass in the direction of the customer's request. Connection holes, rodaj etc.

• Please contact us regarding Glass and PVB colours.

• The loads are made with wooden boxes for minimal deformation. The weights given are the weight of wooden boxes.



4 + 4 mm Laminated Glass

90 cm GLASS HEIGHT	LENGTH mm [W]	GLASS WIDTH [T]		WEIGHT [KG]	100 cm GLASS HEIGHT	LENGTH mm [W]	GLASS WIDTH [T]		WEIGHT [KG]	110 cm GLASS HEIGHT	LENGTH mm [W]	GLASS WIDTH [T]		WEIGHT [KG]
9010-8	100	8	(41,52-4)	1,8	10010-8	100	8	(41,52-4)	2	11010-8	100	8	(41,52-4)	2,2
9020-8	200	8	(41,52-4)	3,6	10020-8	200	8	(41,52-4)	4	11020-8	200	8	(41,52-4)	4,4
9030-8	300	8	(41,52-4)	5,4	10030-8	300	8	(41,52-4)	6	11030-8	300	8	(41,52-4)	6,6
9040-8	400	8	(41,52-4)	7,2	10040-8	400	8	(41,52-4)	8	11040-8	400	8	(41,52-4)	8,8
9050-8	500	8	(41,52-4)	9,0	10050-8	500	8	(41,52-4)	10	11050-8	500	8	(41,52-4)	11
9060-8	600	8	(41,52-4)	10,8	10060-8	600	8	(41,52-4)	12	11060-8	600	8	(41,52-4)	13,2
9070-8	700	8	(41,52-4)	12,6	10070-8	700	8	(41,52-4)	14	11070-8	700	8	(41,52-4)	15,4
9080-8	800	8	(41,52-4)	14,4	10080-8	800	8	(41,52-4)	16	11080-8	800	8	(41,52-4)	17,6
9090-8	900	8	(41,52-4)	16,2	10090-8	900	8	(41,52-4)	18	11090-8	900	8	(41,52-4)	19,8
90100-8	1000	8	(41,52-4)	18,0	100100-8	1000	8	(41,52-4)	20	110100-8	1000	8	(41,52-4)	22
90110-8	1100	8	(41,52-4)	19,8	100110-8	1100	8	(41,52-4)	22	110110-8	1100	8	(41,52-4)	24,2
90120-8	1200	8	(41,52-4)	21,6	100120-8	1200	8	(41,52-4)	24	110120-8	1200	8	(41,52-4)	26,4

6 + 6 mm Laminated Glass

90 cm GLASS HEIGHT	LENGTH mm [W]	GLASS WIDTH [T]		WEIGHT [KG]	100 cm GLASS HEIGHT	LENGTH mm [W]	GLASS WIDTH [T]		WEIGHT [KG]	110 cm GLASS HEIGHT	LENGTH mm [W]	GLASS WIDTH [T]		WEIGHT [KG]
901012	100	12	(61,52-6)	2,7	1001012	100	12	(61,52-6)	3	1101012	100	12	(61,52-6)	3,3
902012	200	12	(61,52-6)	5,4	1002012	200	12	(61,52-6)	6	1102012	200	12	(61,52-6)	6,6
903012	300	12	(61,52-6)	8,1	1003012	300	12	(61,52-6)	9	1103012	300	12	(61,52-6)	9,9
904012	400	12	(61,52-6)	10,8	1004012	400	12	(61,52-6)	12	1104012	400	12	(61,52-6)	13,2
905012	500	12	(61,52-6)	13,5	1005012	500	12	(61,52-6)	15	1105012	500	12	(61,52-6)	16,5
906012	600	12	(61,52-6)	16,2	1006012	600	12	(61,52-6)	18	1106012	600	12	(61,52-6)	19,8
907012	700	12	(61,52-6)	18,9	1007012	700	12	(61,52-6)	21	1107012	700	12	(61,52-6)	23,1
908012	800	12	(61,52-6)	21,6	1008012	800	12	(61,52-6)	24	1108012	800	12	(61,52-6)	26,4
909012	900	12	(61,52-6)	24,3	1009012	900	12	(61,52-6)	27	1109012	900	12	(61,52-6)	29,7
9010012	1000	12	(61,52-6)	27	10010012	1000	12	(61,52-6)	30	11010012	1000	12	(61,52-6)	33
9011012	1100	12	(61,52-6)	29,7	10011012	1100	12	(61,52-6)	33	11011012	1100	12	(61,52-6)	36,3
9012012	1200	12	(61,52-6)	32,4	10012012	1200	12	(61,52-6)	36	11012012	1200	12	(61,52-6)	39,6

8 + 8 mm Laminated Glass

90 cm GLASS HEIGHT	LENGTH mm [W]	GLASS WIDTH [T]		WEIGHT [KG]	100 cm GLASS HEIGHT	LENGTH mm [W]	GLASS WIDTH [T]		WEIGHT [KG]	110 cm GLASS HEIGHT	LENGTH mm [W]	GLASS WIDTH [T]		WEIGHT [KG]
901016	100	16	(81,52-8)	3,6	1001016	100	16	(81,52-8)	4	1101016	100	16	(81,52-8)	4,4
902016	200	16	(81,52-8)	7,2	1002016	200	16	(81,52-8)	8	1102016	200	16	(81,52-8)	8,8
903016	300	16	(81,52-8)	10,8	1003016	300	16	(81,52-8)	12	1103016	300	16	(81,52-8)	13,2
904016	400	16	(81,52-8)	14,4	1004016	400	16	(81,52-8)	16	1104016	400	16	(81,52-8)	17,6
905016	500	16	(81,52-8)	18	1005016	500	16	(81,52-8)	20	1105016	500	16	(81,52-8)	22
906016	600	16	(81,52-8)	21,6	1006016	600	16	(81,52-8)	24	1106016	600	16	(81,52-8)	26,4
907016	700	16	(81,52-8)	25,2	1007016	700	16	(81,52-8)	28	1107016	700	16	(81,52-8)	30,8
908016	800	16	(81,52-8)	28,8	1008016	800	16	(81,52-8)	32	1108016	800	16	(81,52-8)	35,2
909016	900	16	(81,52-8)	32,4	1009016	900	16	(81,52-8)	36	1109016	900	16	(81,52-8)	39,6
9010016	1000	16	(81,52-8)	36	10010016	1000	16	(81,52-8)	40	11010016	1000	16	(81,52-8)	44
9010016	1100	16	(81,52-8)	39,6	10011016	1100	16	(81,52-8)	44	11011016	1100	16	(81,52-8)	48,4
9012016	1200	16	(81,52-8)	43,2	10012016	1200	16	(81,52-8)	48	11012016	1200	16	(81,52-8)	52,8

10 + 10 mm Laminated Glass

90 cm GLASS HEIGHT	LENGTH mm [W]	GLASS WIDTH [T]		WEIGHT [KG]	90 cm GLASS HEIGHT	LENGTH mm [W]	GLASS WIDTH [T]		WEIGHT [KG]	90 cm GLASS HEIGHT	LENGTH mm [W]	GLASS WIDTH [T]		WEIGHT [KG]
9010-20	100	20	-101,521	4,5	10010-20	100	20	-101,521	5	11010-20	100	20	-101,521	5,5
9020-20	200	20	-101,521	9	10020-20	200	20	-101,521	10	11020-20	200	20	-101,521	11
9030-20	300	20	-101,521	13,5	10030-20	300	20	-101,521	15	11030-20	300	20	-101,521	16,5
9040-20	400	20	-101,521	18	10040-20	400	20	-101,521	20	11040-20	400	20	-101,521	22
9050-20	500	20	-101,521	22,5	10050-20	500	20	-101,521	25	11050-20	500	20	-101,521	27,5
9060-20	600	20	-101,521	27	10060-20	600	20	-101,521	30	11060-20	600	20	-101,521	33
9070-20	700	20	-101,521	31,5	10070-20	700	20	-101,521	35	11070-20	700	20	-101,521	38,5
9080-20	800	20	-101,521	36	10080-20	800	20	-101,521	40	11080-20	800	20	-101,521	44
9090-20	900	20	-101,521	40,5	10090-20	900	20	-101,521	45	11090-20	900	20	-101,521	49,5
90100-20	1000	20	-101,521	45	100100-20	1000	20	-101,521	50	110100-20	1000	20	-101,521	55
90100-20	1100	20	-101,521	49,5	100110-20	1100	20	-101,521	55	110110-20	1100	20	-101,521	60,5
90120-20	1200	20	-101,521	54	100120-20	1200	20	-101,521	60	110120-20	1200	20	-101,521	66



Al Ghussun Trading and Installations Glass LLC

Office No : 1103 , Le Solarium Building

Nad Hessa Street , Silicon Oasis - Dubai

Tel: +971 4 3332267

Email: info@alghussunglass.com

www.alghussunglass.com